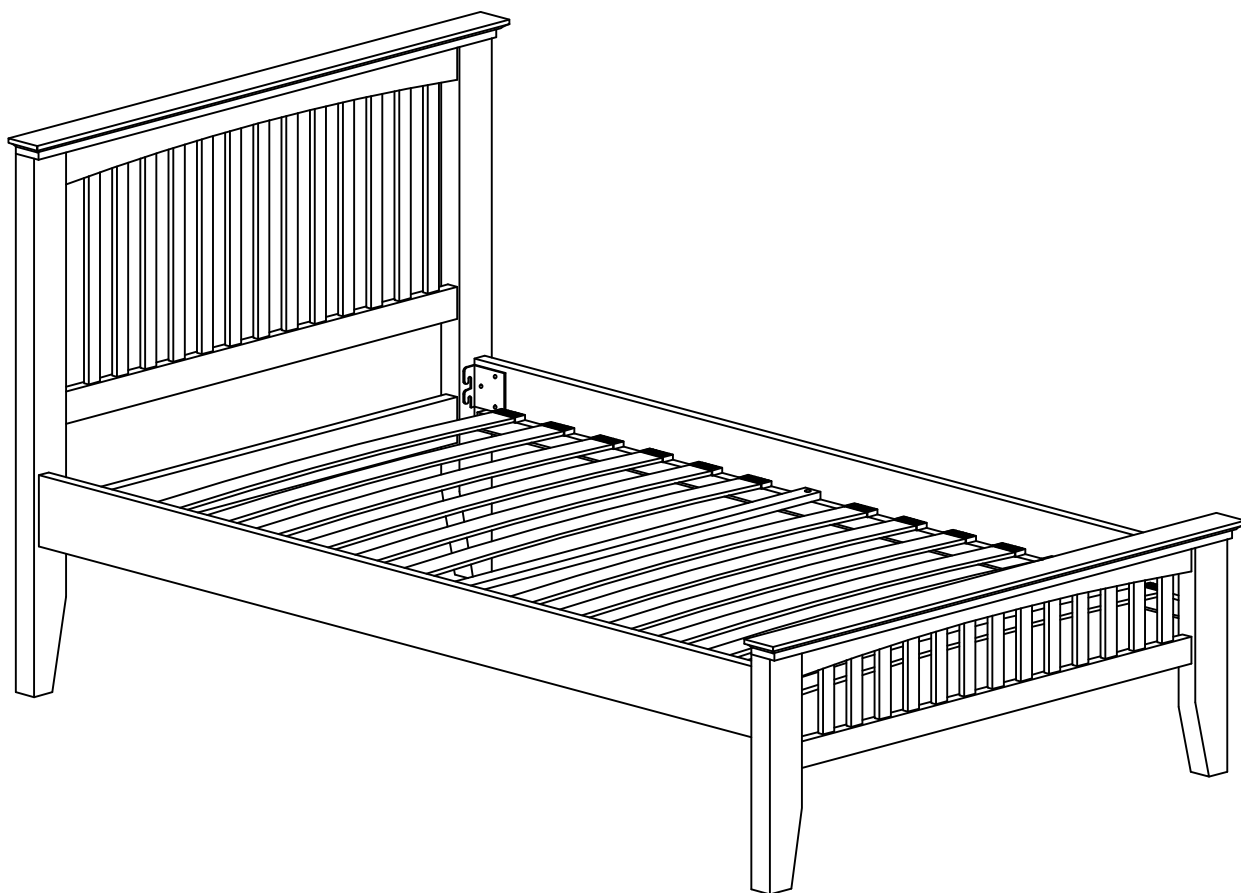


Sareer Furniture

SANDHURST 3FT

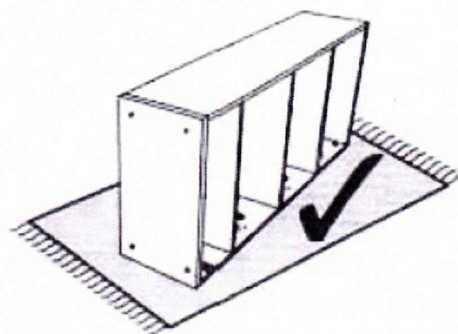
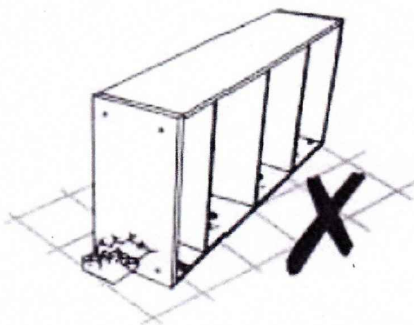
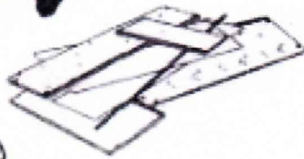
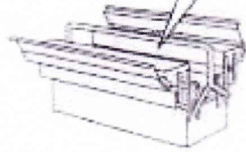
Assembly Instructions



VERSION : 140618



No Extra
Tools Required



SANDHURST 3'

1. Please read through and follow the step by step instructions in the leaflet.
2. We recommend that assembly is done in the room intended for use and it is assembled by two adults.
3. Please do not discard any packaging before you have checked all the parts and fittings are complete.
4. Assemble this product on a flat and clean surface to avoid scratching.
5. Do not fully tighten all bolts until all parts have been assembled loosely. Product and/or fittings might be damaged by over tightening screws or bolts. Beware of cross-threading the screws and nuts during assembly.
6. Keeps fittings away from children's reach.
7. Wipe clean using a soft damp cloth followed by a dry cloth.
8. Do not use abrasives or cleaning products which may contain ammonia or solvents.
9. Take care when handling or moving the furniture. Careless handling can damage wooden furniture, try to lift rather than drag.

SAFETY WARNING: *Do not stand on the bed base without a mattress in place.*

ASSEMBLY INSTRUCTIONS






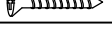
MODEL : SANDHURST 3'

Read this instruction carefully. Refer hardware and furniture parts list for guidance. Be sure all parts are complete, before assembling. Place all wooden furniture part on a clean and flat soft surface to prevent scratches. Refer steps provided as assembling guide.

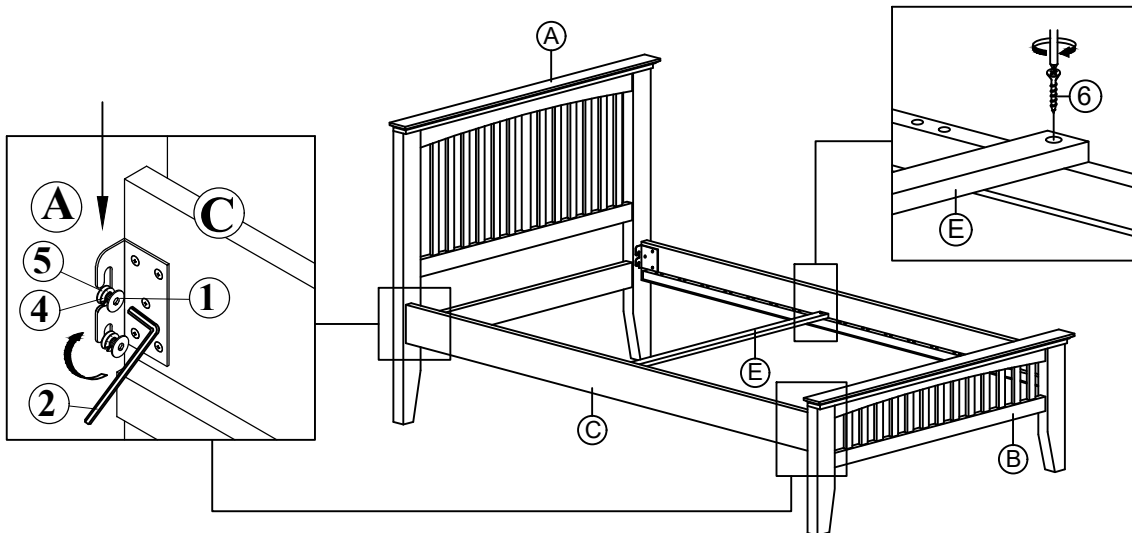
CAUTIONS :

1. Do not **FULLY-TIGHTEN** the nuts or nut bolts until all are in place.
2. To prevent thread damage. Ensure that nuts or nut bolts are not over-tighten.
3. Hardware are to be kept out of reach from children.

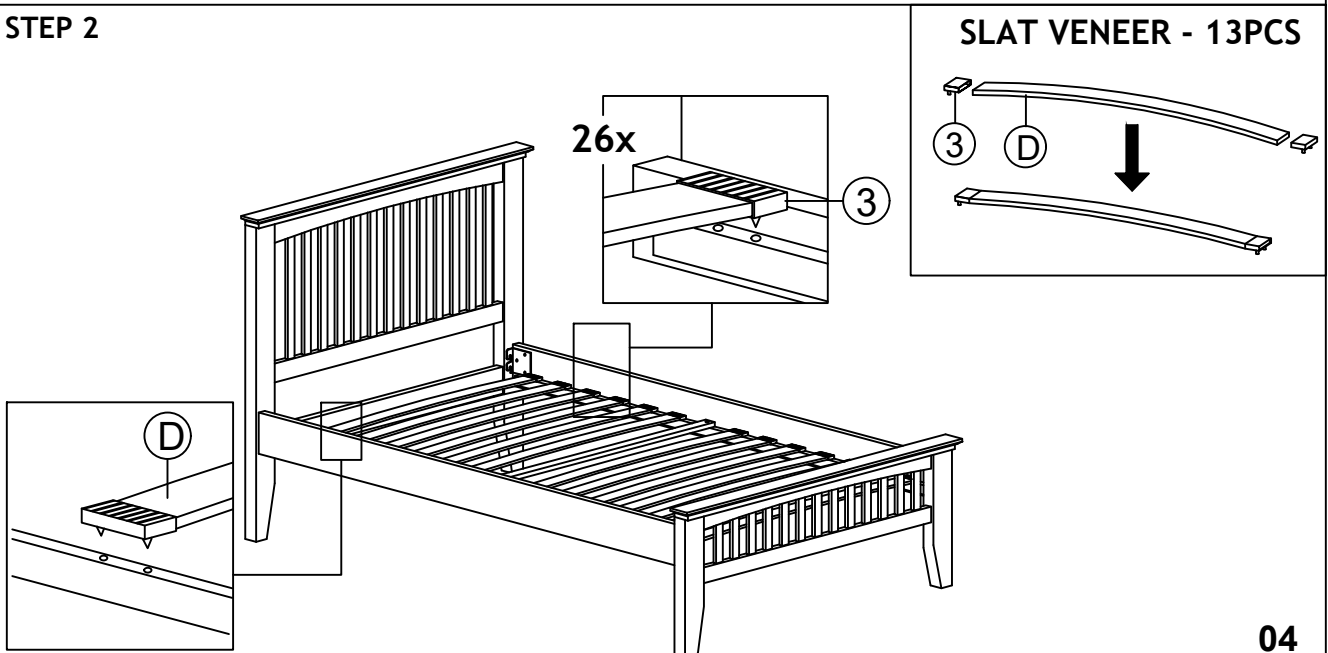
PART LIST		
ITEM	DESCRIPTION	QTY
A	HEADBOARD	1 PC
B	FOOTBOARD	1 PC
C	SIDE RAIL	2 PCS
D	SLAT VENEER	13 PCS
E	CENTRE METAL RAIL	1 PC

HARDWARE LIST			
ITEM	DESCRIPTION		QTY
1	JCBB SCREW M8 x 20MM		8 PCS
2	ALLEN KEY M5 (SHORT)		1 PC
3	CAP		26 PCS
4	SPRING WASHER 5/16"		8 PCS
5	FLAT WASHER 5/16"		8 PCS
6	CSK SCREW M4 x 32MM		2 PCS

STEP 1



STEP 2



General Care

Wipe clean with a slightly damp soft cloth.

Avoid the use of all household cleaners and abrasives.

When moving your furniture , carefully lift into place.

Never drag or push the pieces across the floor as this will cause damage to the joints and could result in failure to the product that will invalidate the warranty.

Recommendations

Periodical re-tightening of fixings.

Warning

This unit is heavy. Please use an assistant when lifting

Sareer Furniture

Savile Business Centre, Mill Street East, Dewsbury, West Yorkshire, WF12 9AH.

E-mail : info@sareerfurniture.co.uk

www.sareerfurniture.co.uk

