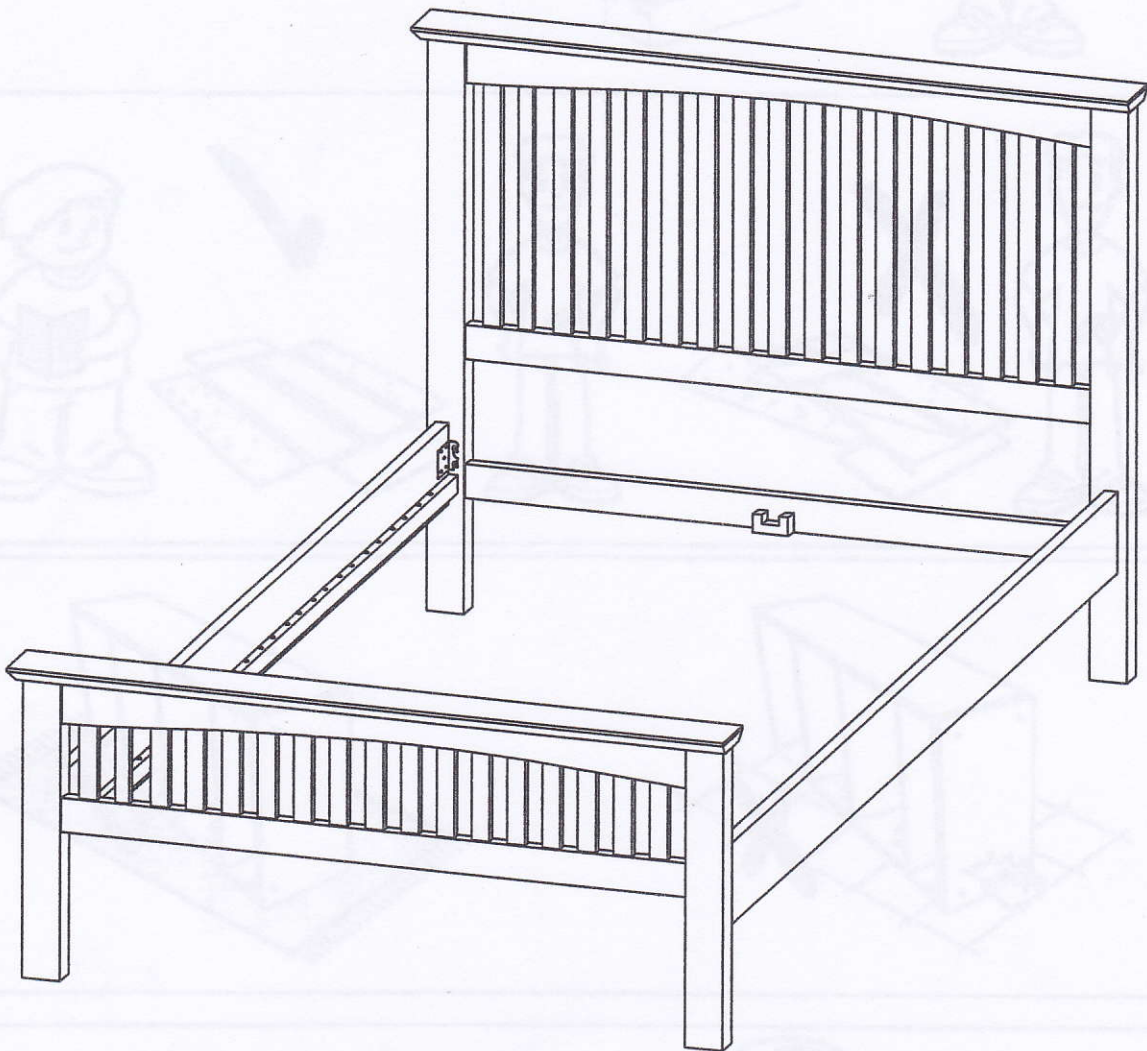


# Sareer Furniture SANDHURST 5'

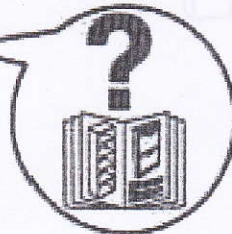
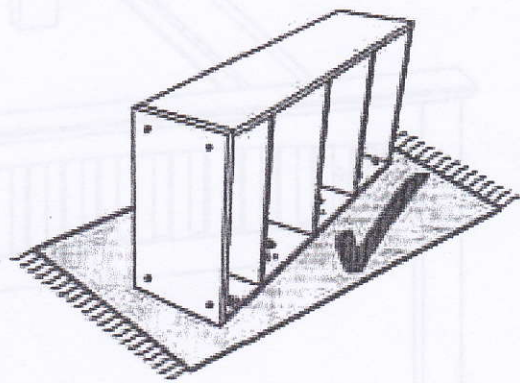
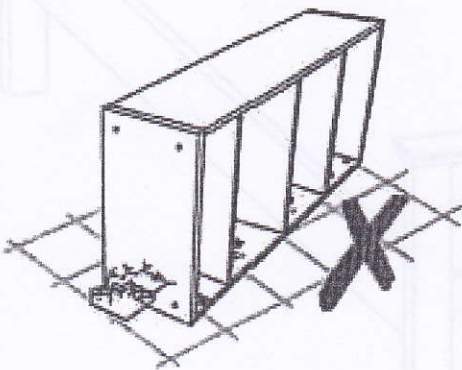
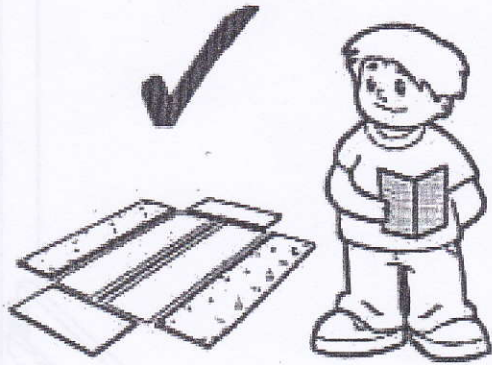
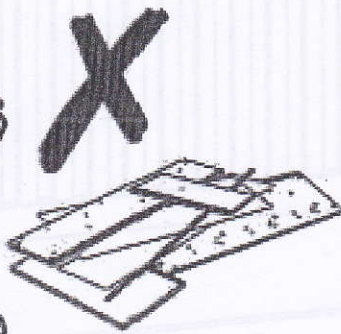
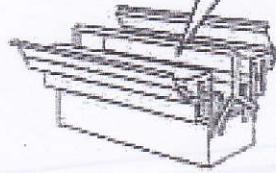
## Assembly Instructions



VERSION : 140618



No Extra  
Tools Required



Sareer Furniture  
(08001 413786)



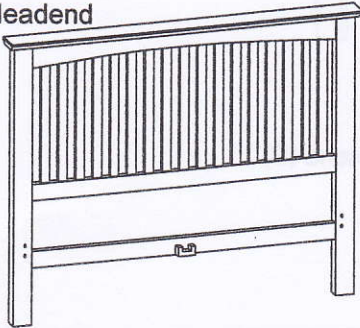
# SANDHURST 5'

1. Please read through and follow the step by step instructions in the leaflet.
2. We recommend that assembly is done in the room intended for use and it is assembled by two adults.
3. Please do not discard any packaging before you have checked all the parts and fittings are complete.
4. Assemble this product on a flat and clean surface to avoid scratching.
5. Do not fully tighten all bolts until all parts have been assembled loosely. Product and/or fittings might be damaged by over tightening screws or bolts. Beware of cross-threading the screws and nuts during assembly.
6. Keeps fittings away from children's reach.
7. Wipe clean using a soft damp cloth followed by a dry cloth.
8. Do not use abrasives or cleaning products which may contain ammonia or solvents.
9. Take care when handling or moving the furniture. Careless handling can damage wooden furniture, try to lift rather than drag

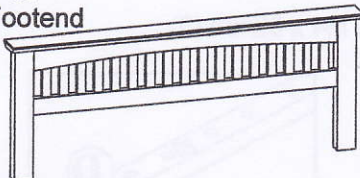
**SAFETY WARNING:** Do not stand on the bed base without a mattress in place.

## PARTS LIST

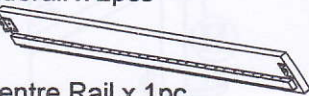
(A)-Headend



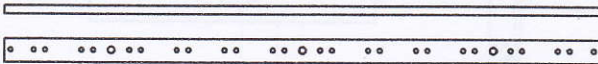
(B)-Footend



(C)-Siderail x 2pcs



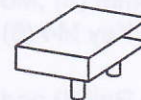
(D)-Centre Rail x 1pc



(E)-Centre Plastic Slat Holders x 14pcs



(F)-Side Plastic Slat Holders x 28pcs



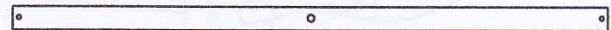
(G)-Wooden Slat x 28pcs



(H)-Support Leg x 3pcs



(I)-Metal Cross Bar x 1pc



## FITTINGS

1. JCBB M8 x 20mm x 8 PCS



5. CSK SCREW M4 x 32mm x 2 PCS



9. M6 FLAT WASHER x 2 PCS



2. M8 FLAT WASHER x 8 PCS



6. M4 ALLEN KEY x 1 PC



10. M6 HEX NUT x 2 PCS



3. M8 SPRING WASHER x 8 PCS



7. M5 ALLEN KEY x 1 PC



4. SPANNER x 1 PC

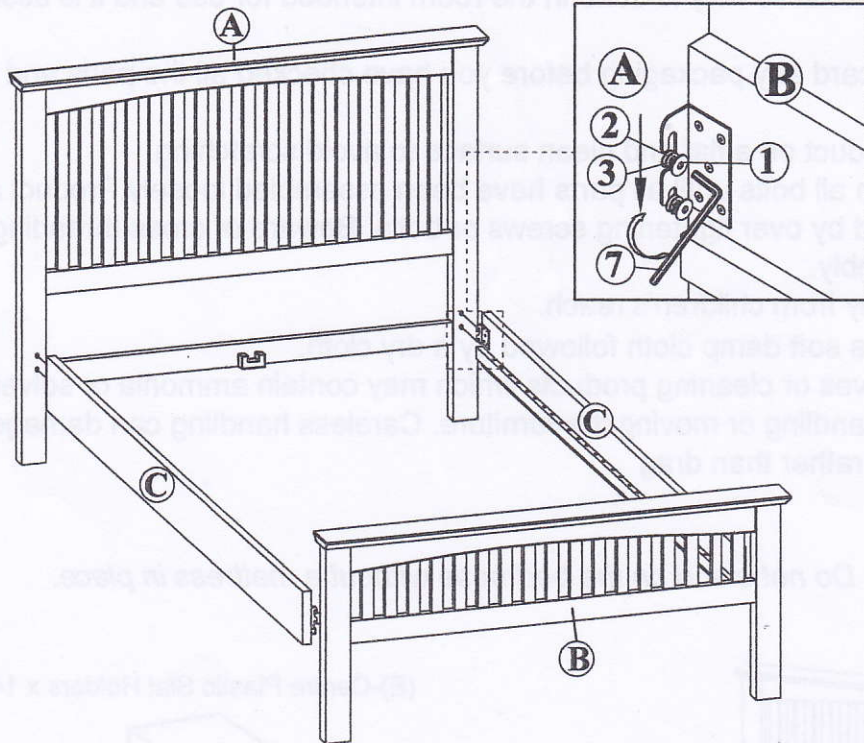


8. JCBC M6 x 40mm x 3 PCS



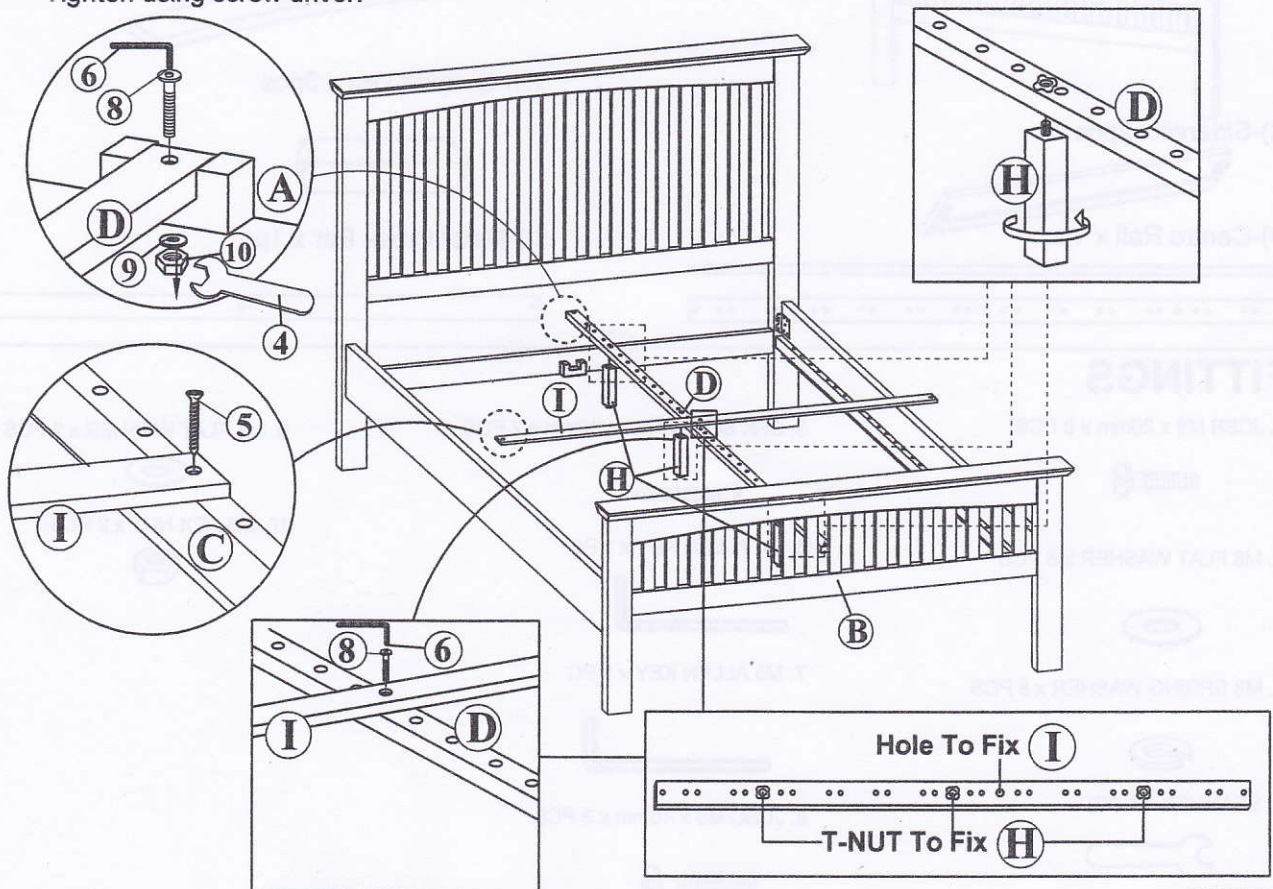


**Step 1 :** Attach the Siderails (C) to the headend (A) and Footend (B) by using JCBB M8 x 20mm (1) and M8 Spring Washer (3) and M8 Flat Washer (2) tighten using M5 Allen Key (7).



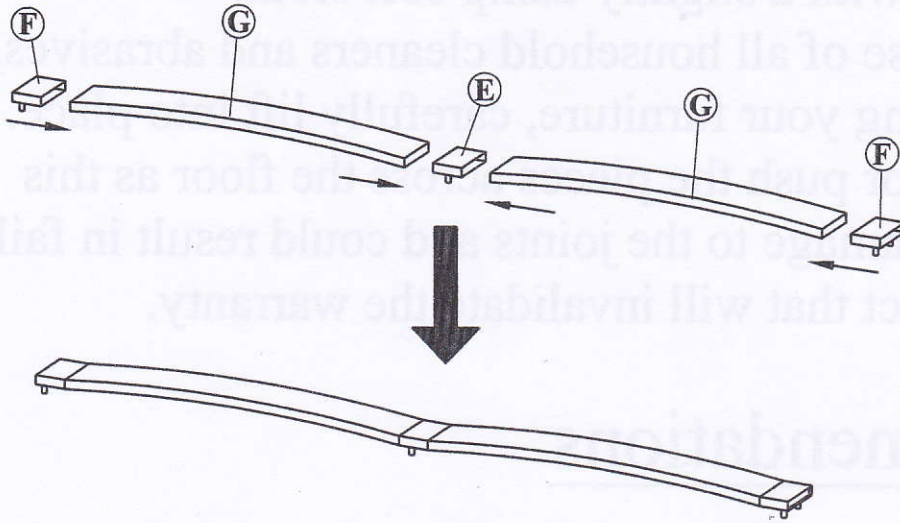
**Step 2 :** Fix the Support Legs (H) 3pcs to the Centre Rail (D)  
 Fix the Centre Rail (D), Support Legs (H) to the Headend (A) and Footend (B) with JCBC M6 x 40mm (8), M6 Hex Nut (10), M6 Flat Washer (9).  
 Tighten using Allen Key M4 (6) & Spanner (4).

Fix the Metal Cross Rail (I) and Center Rail (D) secure in place with JCBC M6 x 40mm (8). Tighten using Allen Key M4 (6).  
 Fix the Metal Cross Rail (I), to the Side Rail L & R (C) with CSK Screw M4 x 32mm (5)  
 Tighten using screw driver.

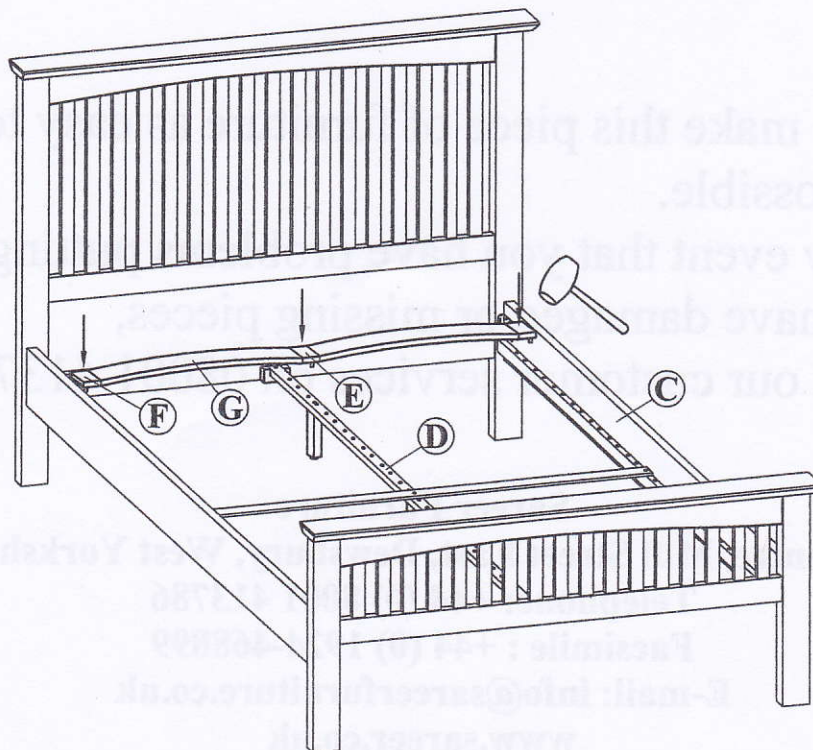




**Step 3 :** Insert the Wooden Slat (G) into the Plastic Slat Holders(E) (F)



**Step 4 :** Align the pins on the Plastic Slat Holders (E) (F) to the holes along the Centre Rail (D) and the Siderails (C). Gently tap them into the holes. Tap the corners of the Plastic Slat Holders (E) (F) to knock them into place with rubber mallet. ( **NOT** provided )



## General Care

Wipe clean with a slightly damp soft cloth.  
Avoid the use of all household cleaners and abrasives.  
When moving your furniture, carefully lift into place.  
Never drag or push the pieces across the floor as this will cause damage to the joints and could result in failure to the product that will invalidate the warranty.

## Recommendations

Periodical re-tightening of fixings.

## Warning

This unit is heavy. Please use an assistant when lifting.

## Notes

We've tried to make this piece of furniture as easy to assemble as possible.

In the unlikely event that you have problems putting it together or have damaged or missing pieces, please contact our customer services on 08001 413786

### **Sareer Furniture**

**Savile Business Centre, Mill Street East, Dewsbury, West Yorkshire, WF12 9AH.**

**Telephone: +44 (0) 8001 413786**

**Facsimile : +44 (0) 1924-468899**

**E-mail: [info@sareerfurniture.co.uk](mailto:info@sareerfurniture.co.uk)**

**[www.sareer.co.uk](http://www.sareer.co.uk)**