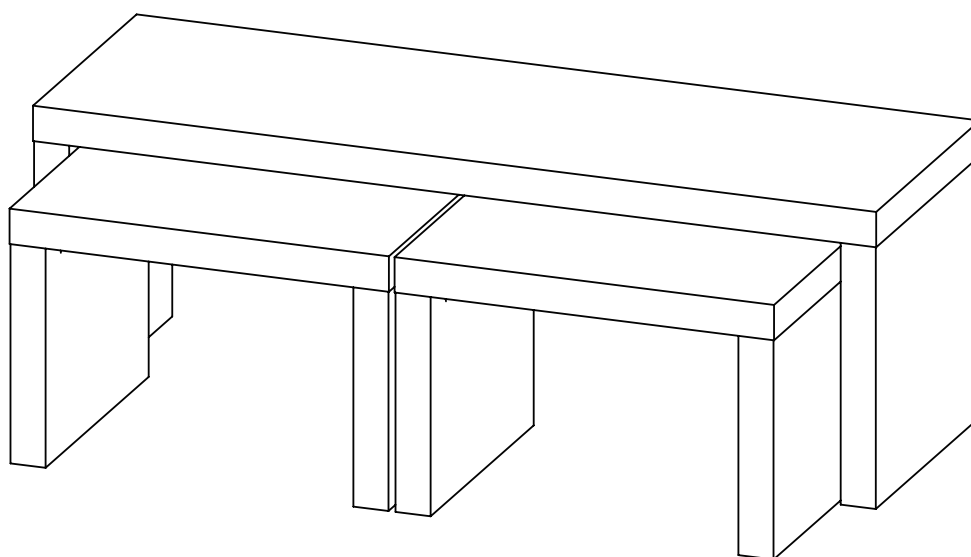


JAKARTA LONG JOHN NEST OF TABLES - ASSEMBLY INSTRUCTIONS

Thank you for purchasing the Jakarta Long John Nest.

Please read the instructions carefully to ensure safe operation of this product.



Big Table Size: 120 x 39 x 42 cm (WDH)

Small Table Size: 54 x 39 x 36 cm (WDH)

Colour: Mango

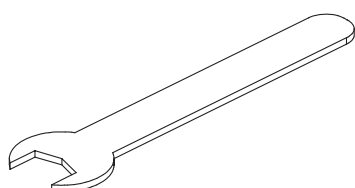
Finish: Melamine Veneer

PLEASE READ this sheet prior to assembly to familiarise yourself with the various stages of construction.

Carefully open the pack supplied and check the contents against the parts and fittings check list. Do not destroy any of the packaging until you are certain that you have all the necessary parts for the assembly.

CAUTION: There are small components used in the construction of this unit. These loose items should be kept away from young children whilst assembling your unit to avoid the danger of choking.

Tools Required



Number of people



0.5 Hour
Set Up

Version 1 - 010120

PO No : 6131

Page 1 of 7

IMPORTANT - READ CAREFULLY - RETAIN THESE INSTRUCTIONS FOR FUTURE REFERENCE.

INFORMATION

- Each table is designed to hold 10Kg in total. Do not exceed this weight.
- We recommend that this unit is assembled in the room intended for use.
- When you are ready to start, make sure that you have the right tools, plenty of space and a clean, dry area for assembly.
- Unwrap all packaging materials and place the components on top of the carton box or on a clean floor to prevent them from getting scratched.
- Check the pack and make sure you have all the parts listed.
- Ensure that this product is fully assembled as illustrated before use.
- Check all screws or bolts are tightened and inspect regularly.
- Tools not included unless specified in the parts list.

WARNINGS

- This product should only be used on a firm and level floor.
- Please do not drag across the floor or carpet as legs may be damaged - lift into place.
- Make sure the legs remain in contact with the floor when being used.
- Keep small parts out of reach of children.
- DO NOT use tables for 12 Hours to allow dowel glue to dry - see Steps 2 & 3.
- DO NOT use power tools to construct this product.
- DO NOT tighten screws until parts are assembled or as advised in this guide.
- DO NOT over tighten screws or bolts.
- DO NOT use this product if parts are missing, damaged or worn.
- DO NOT sit or stand on the Tables.

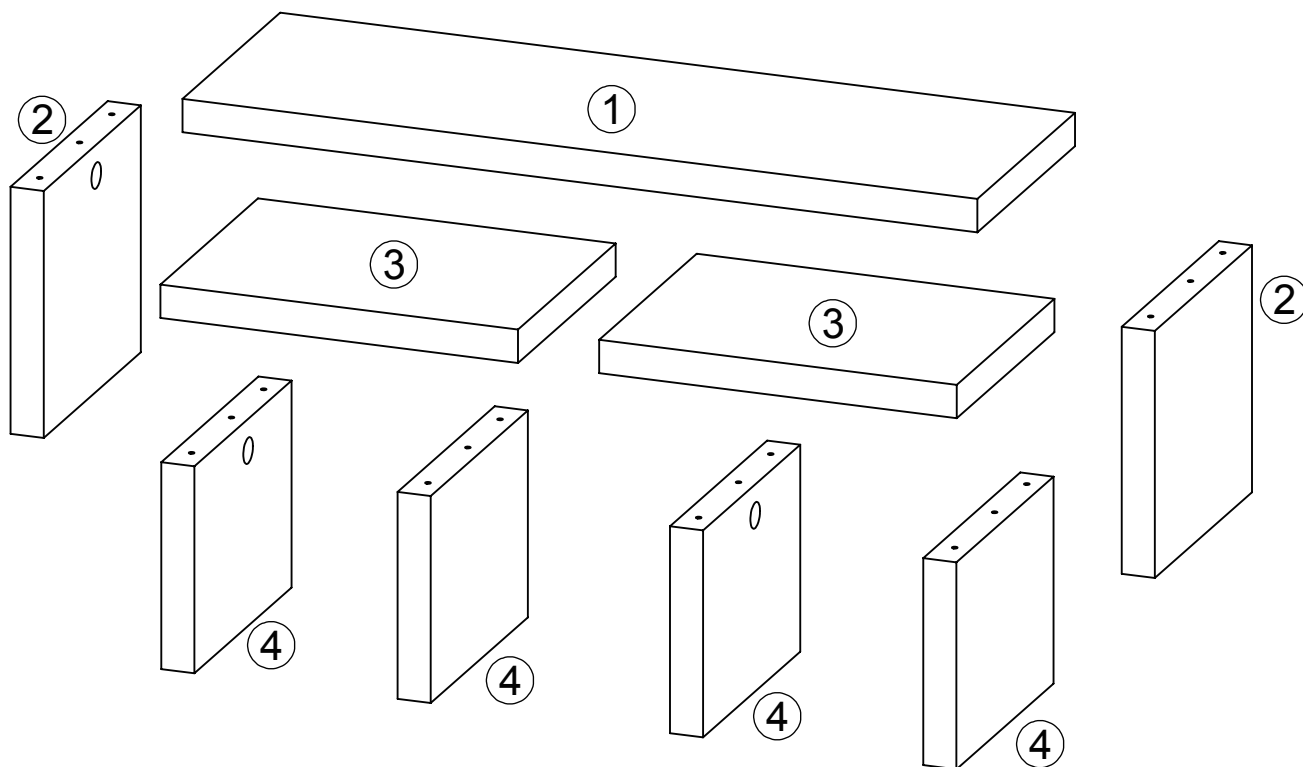
CARE INFORMATION

- Never use scourers, abrasives or chemical cleaners.
- To clean, wipe with a damp sponge and warm soapy water.
- Do not use solvent based cleaners or detergents as they can bleach or damage the product.

Parts and Fittings Checklist

Please check the pack contents before assembling the product. If any components are missing, please contact your retailer.

The fittings pack contains small items that should be kept away from children.

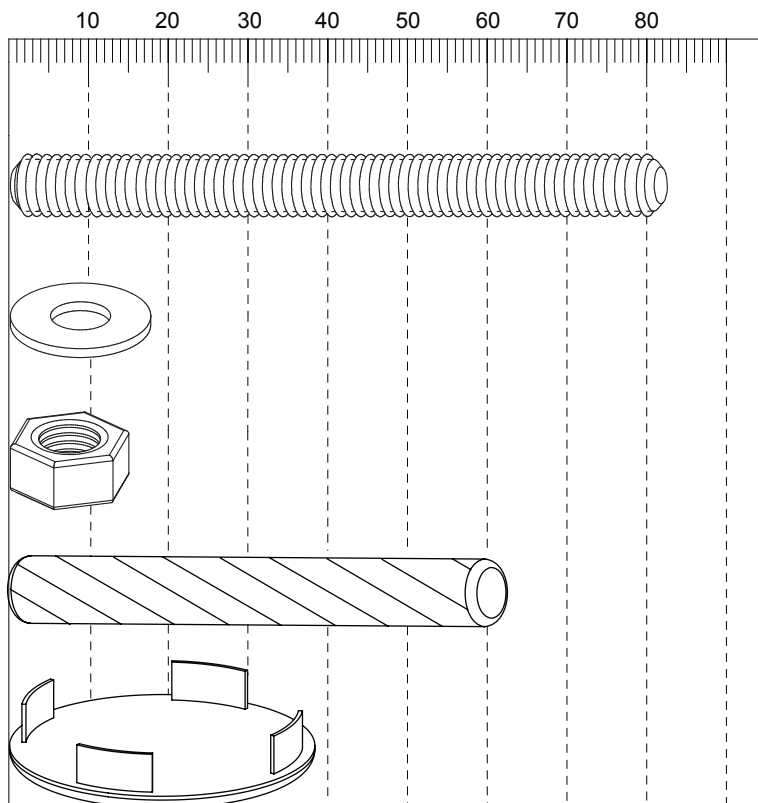


All parts are packed in one carton

1	2	3
Description: Long Table Top Qty: 1 Size: 1200 x 390 x 50 mm Carton No: 1/1	Description: Tall Side Panels Qty: 2 Size: 370 x 388 x 50 mm Carton No: 1/1	Description: Short Table Tops Qty: 2 Size: 540 x 390 x 50 mm Carton No: 1/1
4		
Description: Short Side Panels Qty: 4 Size: 310 x 388 x 50 mm Carton No: 1/1		

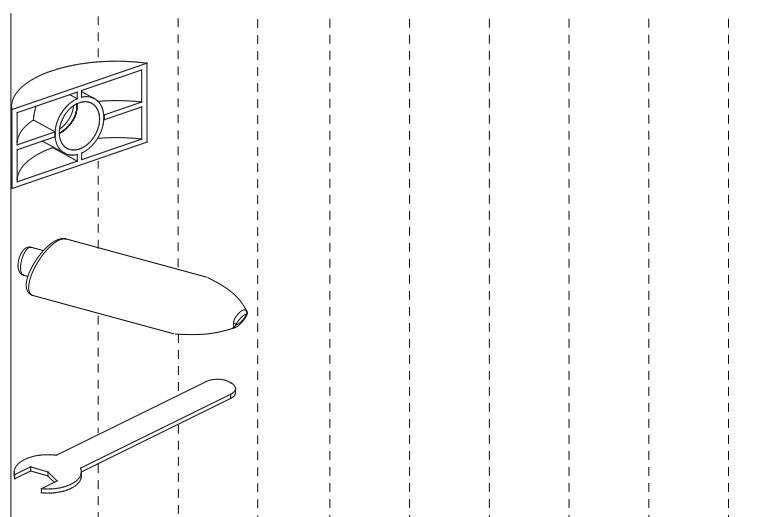
Fittings (to scale)

Code	Item	Quantity
A	Bolt (M8x80mm)	6
B	Flat Washer (for M8 Nuts)	6
C	Nuts (for M8 bolts)	6
D	Dowels (8x60mm)	12
H	Plastic Cover (38mm)	6

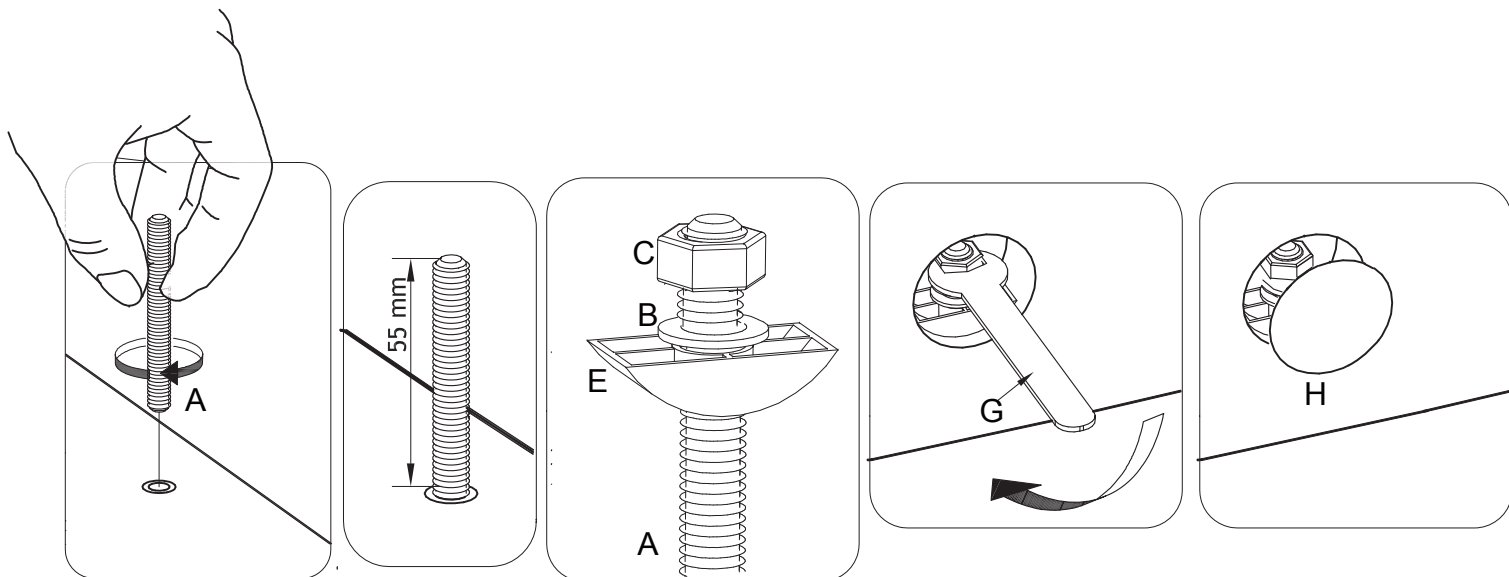


Fittings (not to scale)

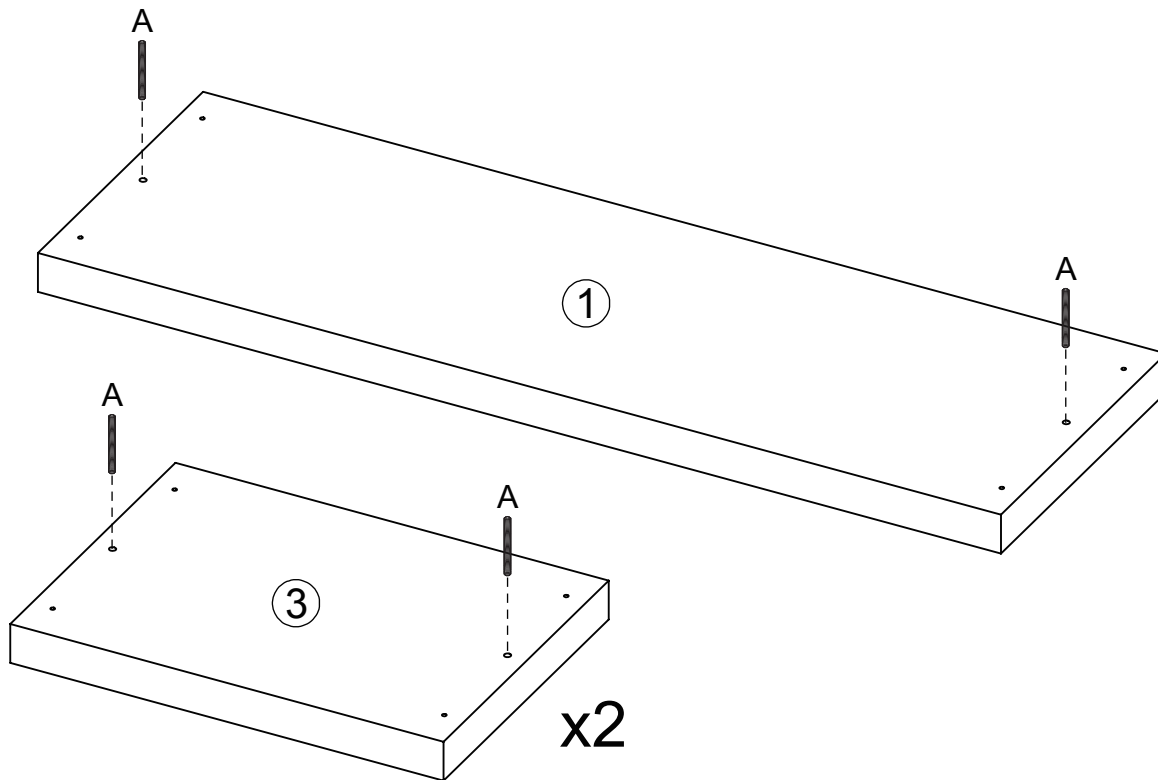
Code	Item	Quantity
E	Bracket	6
F	Wood Glue for Dowels	1
G	Spanner (for M8 nuts)	1



General Hints & Tips

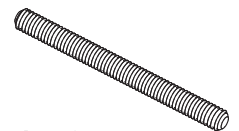


STEP 1



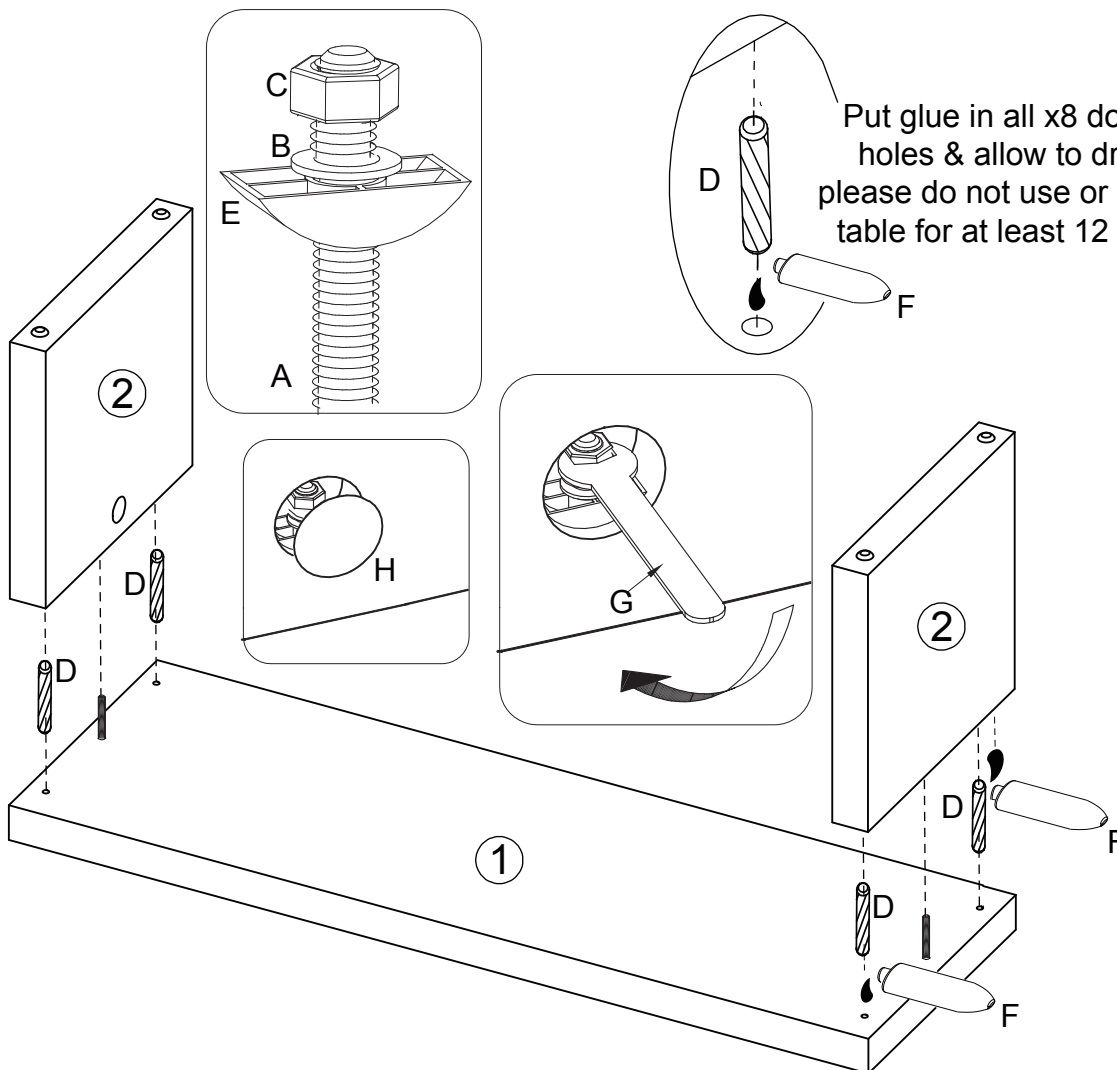
For this step:
Tools required

Fittings required



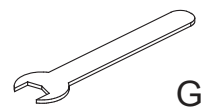
A x6

STEP 2

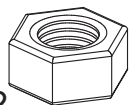


For this step:
Tools required

Fittings required



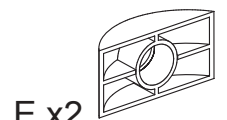
B x2



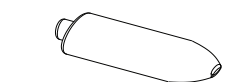
C x2



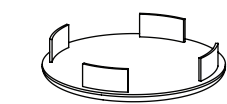
D x4



E x2

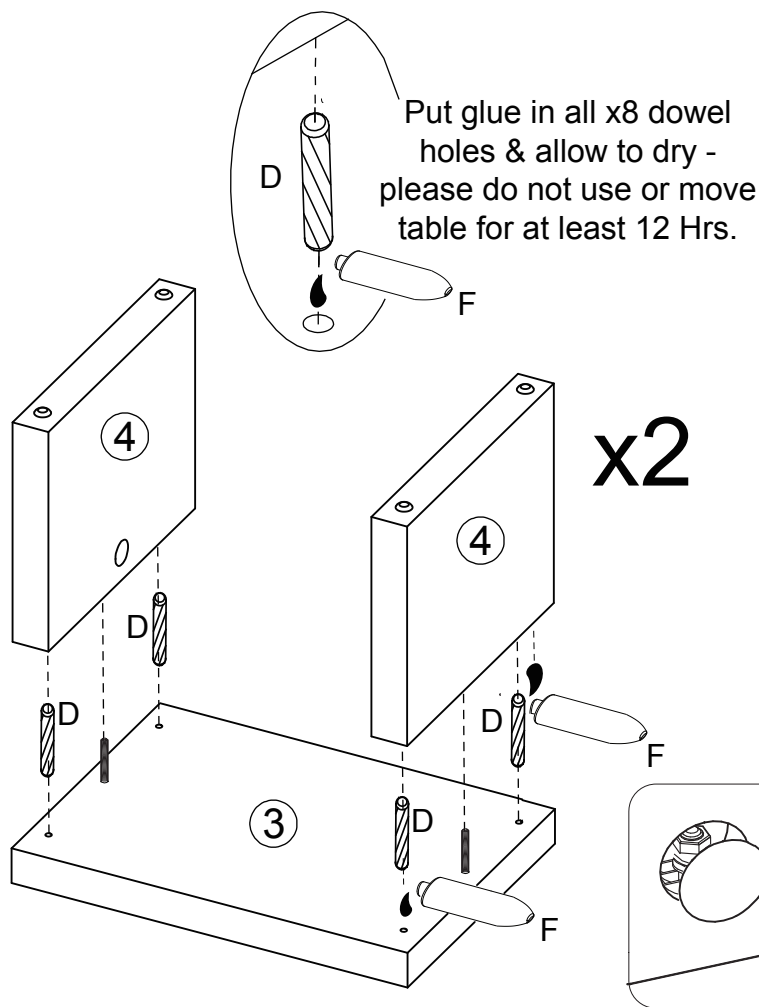


F x1



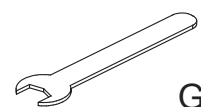
H x2

STEP 3

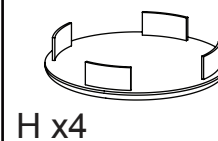
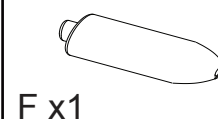
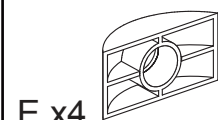
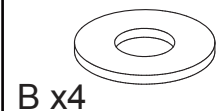


For this step:

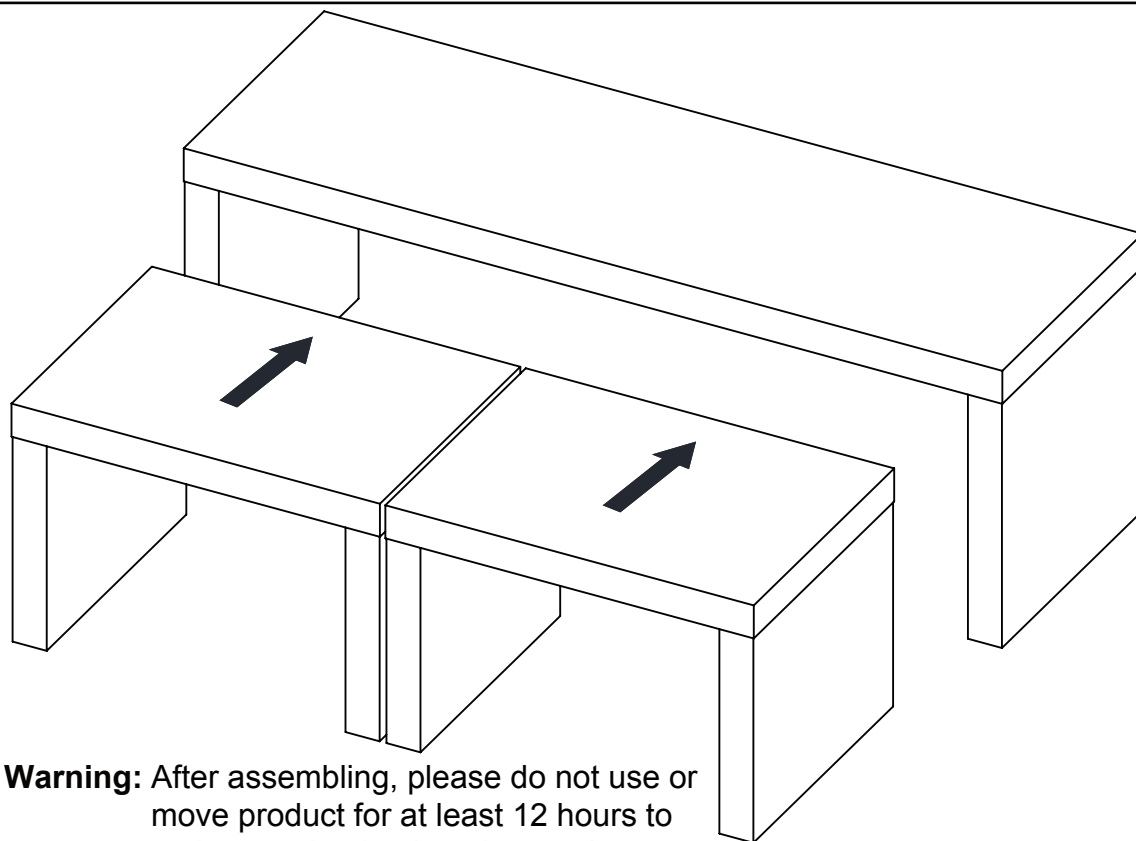
Tools required



Fittings required



STEP 4



For this step:

Tools required

Fittings required

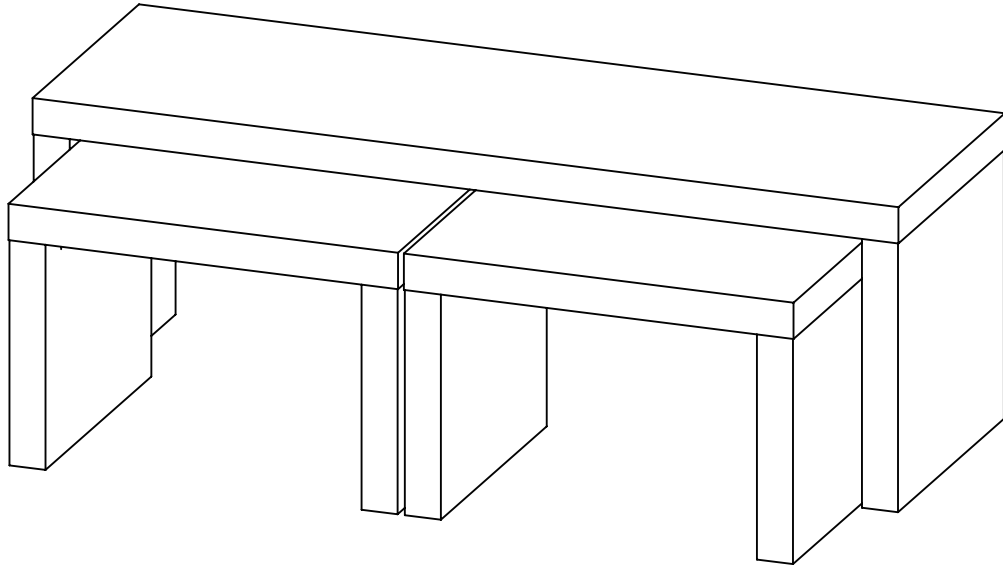
Warning: After assembling, please do not use or move product for at least 12 hours to make certain glue has time to dry.

Assembly Completed

Your Jakarta Long John Nest is now completely assembled.

Periodically check to ensure that the components are in their proper position, free from damage.

Also, make sure the connectors are tight and secure.



Keep instructions for future reference

