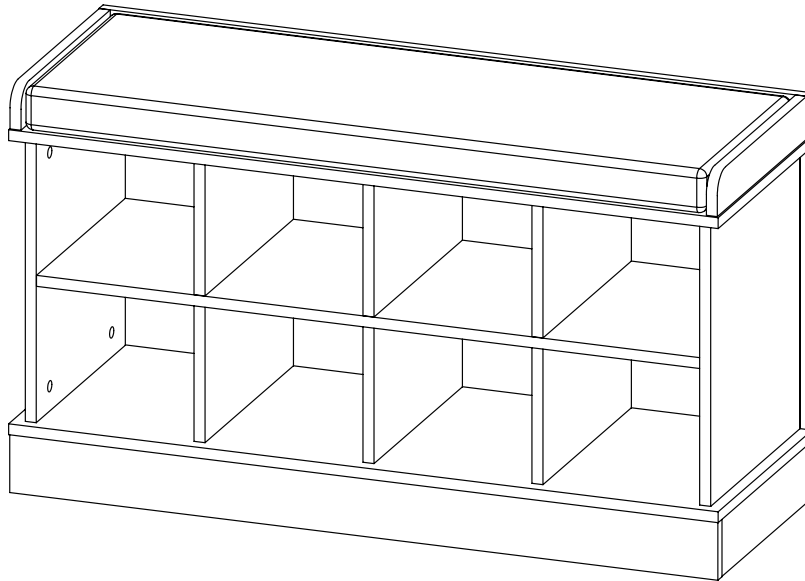


# KEMPTON SHOE BENCH WITH CUSHION ASSEMBLY INSTRUCTIONS

Thank you for purchasing the Kempton Shoe Bench With Cushion.  
Please read the instructions carefully to ensure safe operation of this product.



Size: 97 x 34 x 56 cm (WDH)

Colour: White, Grey, Oak or Walnut

Finish: Melamine Veneer

---

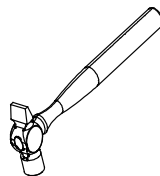
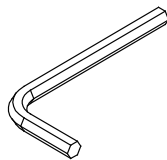
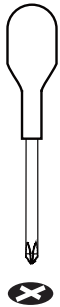
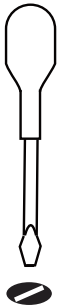
**PLEASE READ** this sheet prior to assembly to familiarise yourself with the various stages of construction.

Carefully open the pack supplied and check the contents against the parts and fittings check list. Do not destroy any of the packaging until you are certain that you have all the necessary parts for the assembly.

**CAUTION:** There are small components used in the construction of this unit. These loose items should be kept away from young children whilst assembling your unit to avoid the danger of choking.

---

## Tools Required



Number of people



0.5 Hour  
Set Up

Version 2 - 231020

PO No : \_\_\_\_\_

Page 1 of 11

# KEMPTON SHOE BENCH WITH CUSHION ASSEMBLY INSTRUCTIONS

## **IMPORTANT - READ CAREFULLY - RETAIN THESE INSTRUCTIONS FOR FUTURE REFERENCE.**

### **INFORMATION**

- This product is designed to hold 100Kg in total, spread evenly over the whole unit.
- Do not exceed this weight.
- We recommend that this unit is assembled in the room intended for use.
- When you are ready to start, make sure that you have the right tools, plenty of space and a clean, dry area for assembly.
- Unwrap all packaging materials and place the components on top of the carton box or on a clean floor to prevent them from scratching.
- Check the pack and make sure you have all the parts listed.
- Ensure that this product is fully assembled as illustrated before use.
- Check all screws or bolts are tightened and inspect regularly
- Tools not included unless specified in parts list.

### **WARNINGS**

- This product should only be used on a firm and level floor.
- Keep small parts out of reach of children.
- Make sure the base remain in contact with the floor.
- DO NOT use power tools to construct this product.
- DO NOT tighten screws until parts are assembled or as advised in this guide.
- DO NOT over tighten screws or bolts.
- DO NOT use this product if parts are missing, damaged or worn.
- DO NOT stand on the product.

### **CARE INFORMATION**

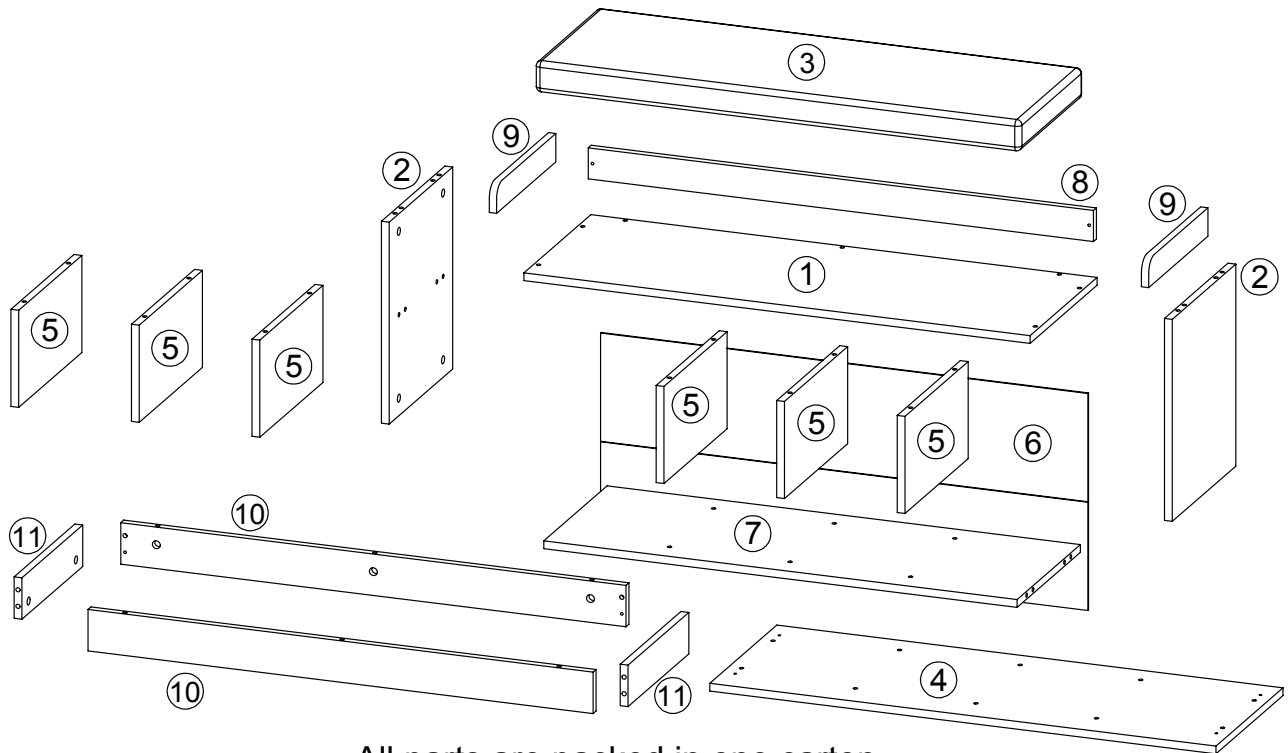
- To clean, wipe with a damp clean cloth.
- Never use scourers, abrasives or chemical cleaners.
- Do not use solvent based cleaners or detergents as they can bleach or damage the product.

# KEMPTON SHOE BENCH WITH CUSHION ASSEMBLY INSTRUCTIONS

## Parts and Fittings Checklist

Please check the pack contents before assembling the product. If any components are missing, please contact your retailer.

The fittings pack contains small items that should be kept away from children.



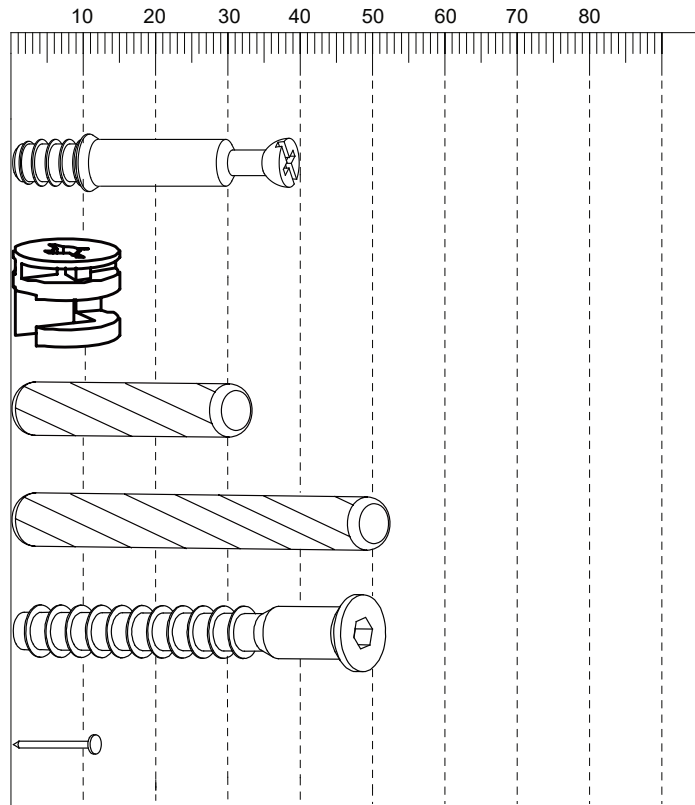
All parts are packed in one carton

1	2	3
Description: Top Panel Qty: 1 Size: 970 x 340 x 15 mm Carton No: 1/1	Description: Side Panels Qty: 2 Size: 390 x 322 x 15 mm Carton No: 1/1	Description: Cushion Qty: 1 Size: 935 x 320 x 40 mm Carton No: 1/1
4	5	6
Description: Base Panel Qty: 1 Size: 970 x 340 x 15 mm Carton No: 1/1	Description: Divider Panels Qty: 6 Size: 320 x 187.5 x 15 mm Carton No: 1/1	Description: Back Panel Qty: 1 Size: 934 x 418 x 3 mm Carton No: 1/1
7	8	9
Description: Fixed Shelf Qty: 1 Size: 907 x 321 x 15 mm Carton No: 1/1	Description: Upper Back Rail Qty: 1 Size: 968 x 60 x 15 mm Carton No: 1/1	Description: Upper Side Rails Qty: 2 Size: 323 x 59 x 15 mm Carton No: 1/1
10	11	
Description: Long Plinths Qty: 2 Size: 968 x 80 x 15 mm Carton No: 1/1	Description: Short Plinths Qty: 2 Size: 308 x 80 x 15 mm Carton No: 1/1	

# KEMPTON SHOE BENCH WITH CUSHION ASSEMBLY INSTRUCTIONS

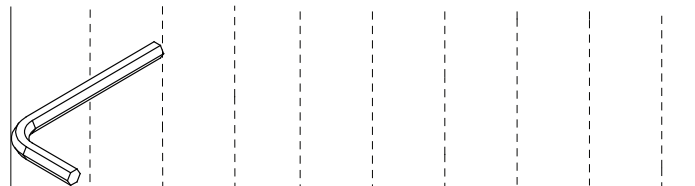
## Fittings (to scale)

Code	Item	Quantity
A	Cam Bolt (38mm overall)	22
B	Cam Lock	22
C	Dowel (8x30mm)	28
D	Dowel (8x50mm)	6
E	Carcass Screw for Fitting Top Panel (M7x50mm)	9
F	Nail for Fitting Back Panel (2x12mm)	26

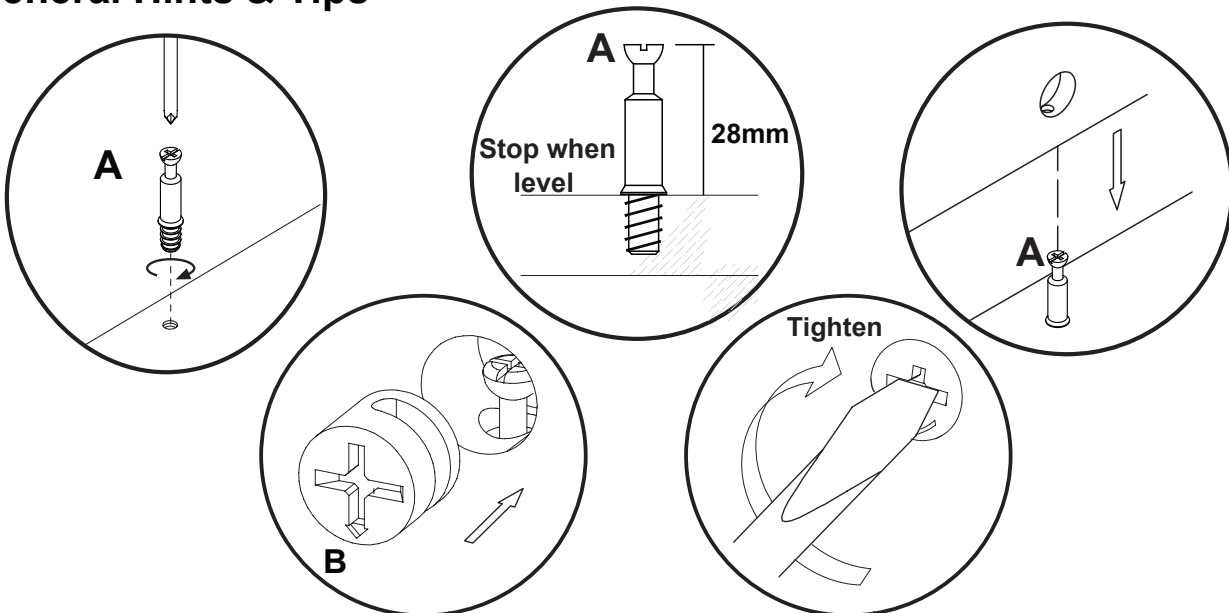


## Fittings (not to scale)

Code	Item	Quantity
G	Allen Key (4mm)	1

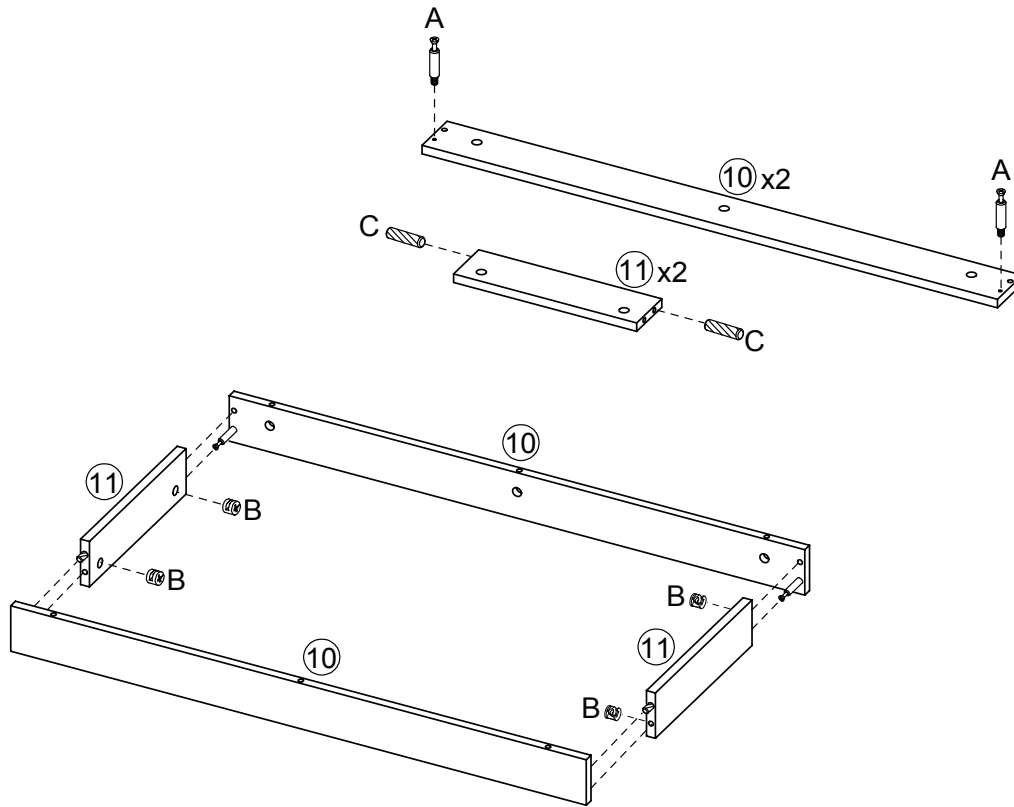


## General Hints & Tips



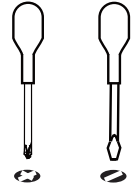
# KEMPTON SHOE BENCH WITH CUSHION ASSEMBLY INSTRUCTIONS

## STEP 1

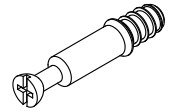


For this step:

**Tools required**



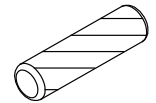
**Fittings required**



A x4

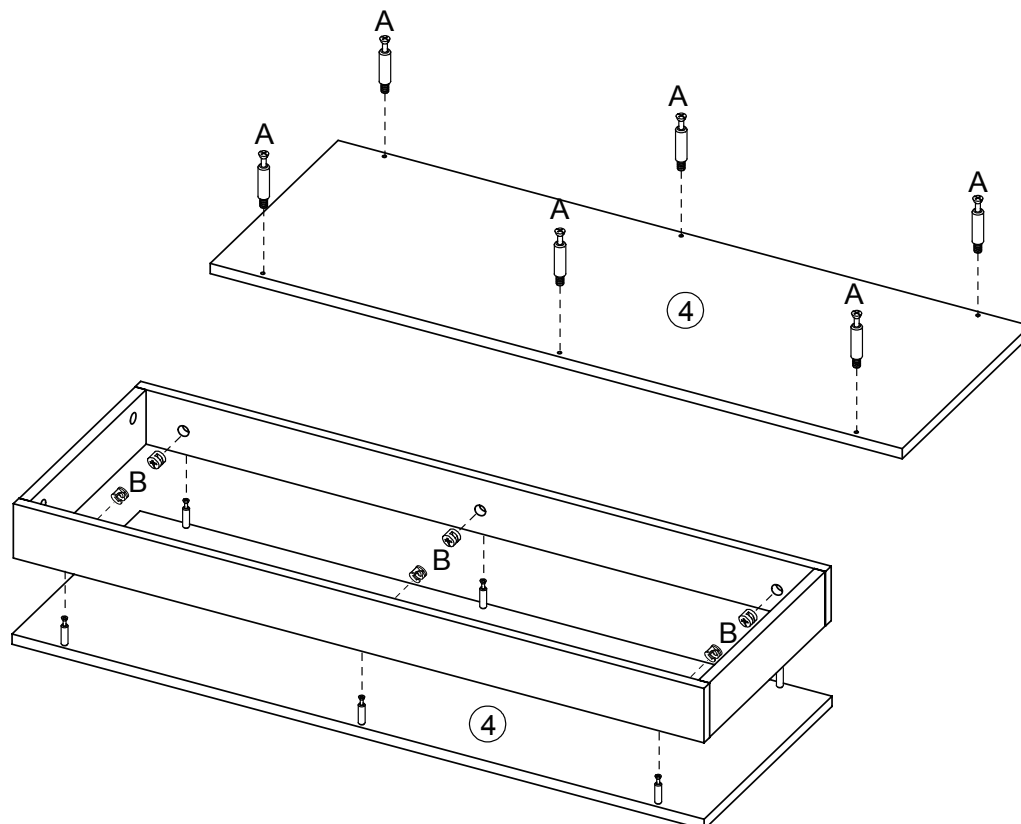


B x4



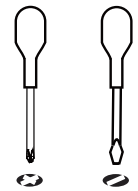
C x4

## STEP 2

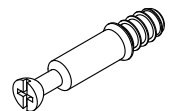


For this step:

**Tools required**



**Fittings required**



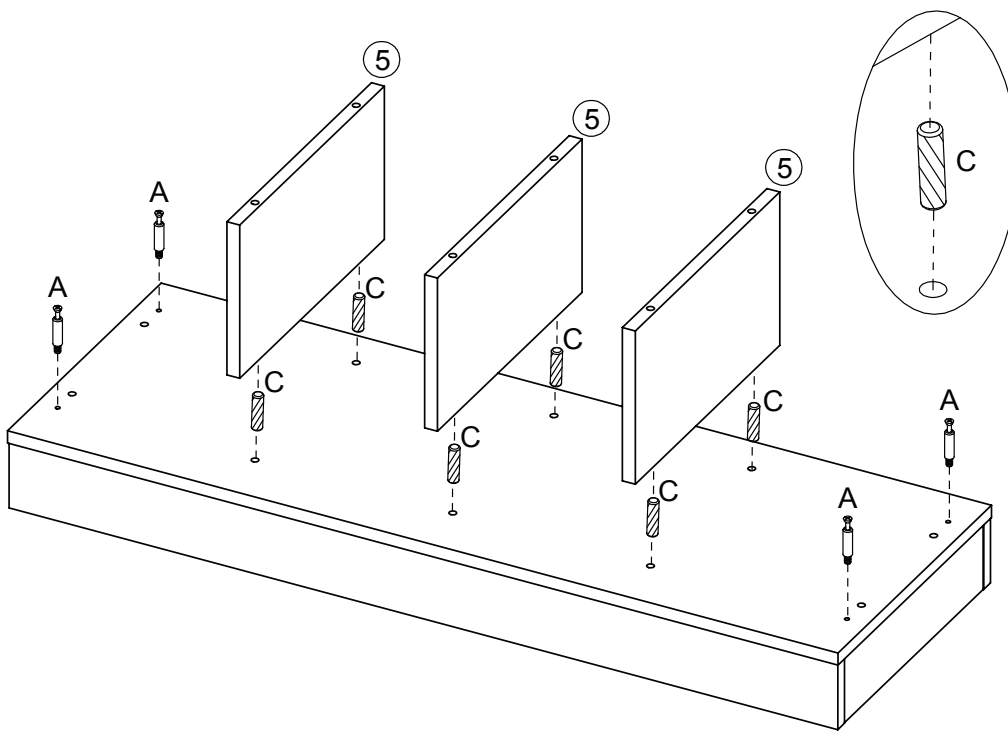
A x6



B x6

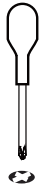
# KEMPTON SHOE BENCH WITH CUSHION ASSEMBLY INSTRUCTIONS

## STEP 3

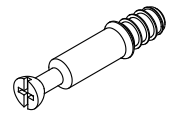


For this step:

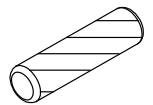
**Tools required**



**Fittings required**

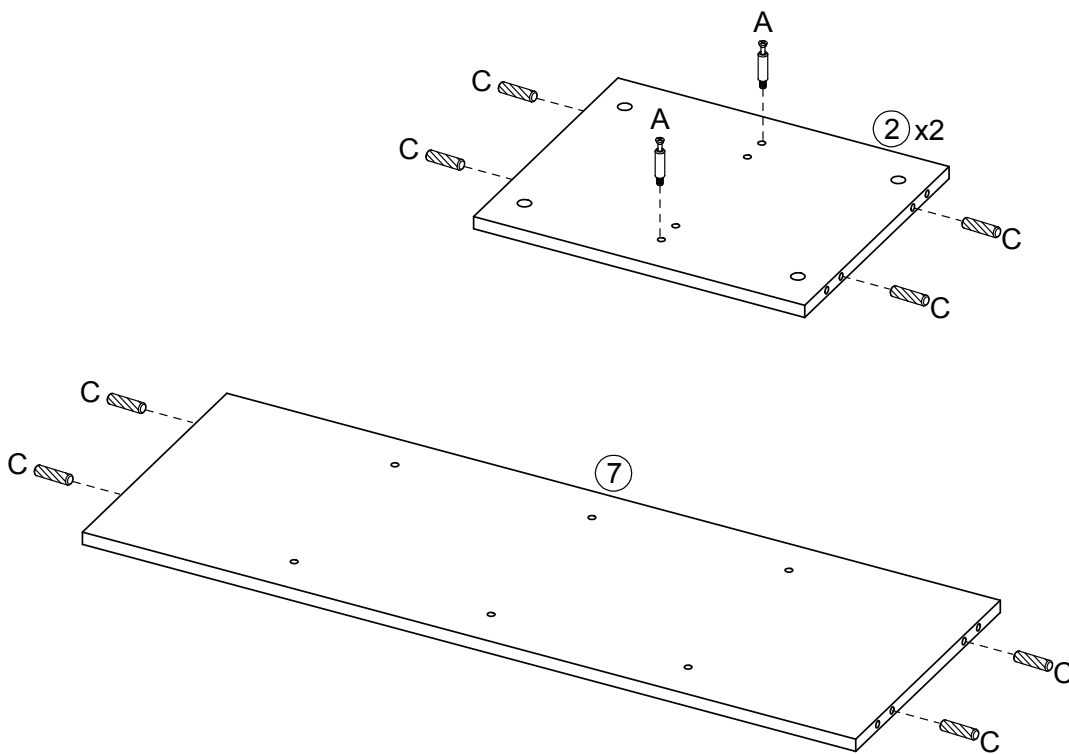


A x4



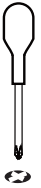
C x6

## STEP 4

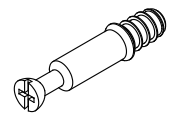


For this step:

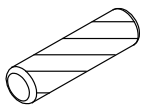
**Tools required**



**Fittings required**



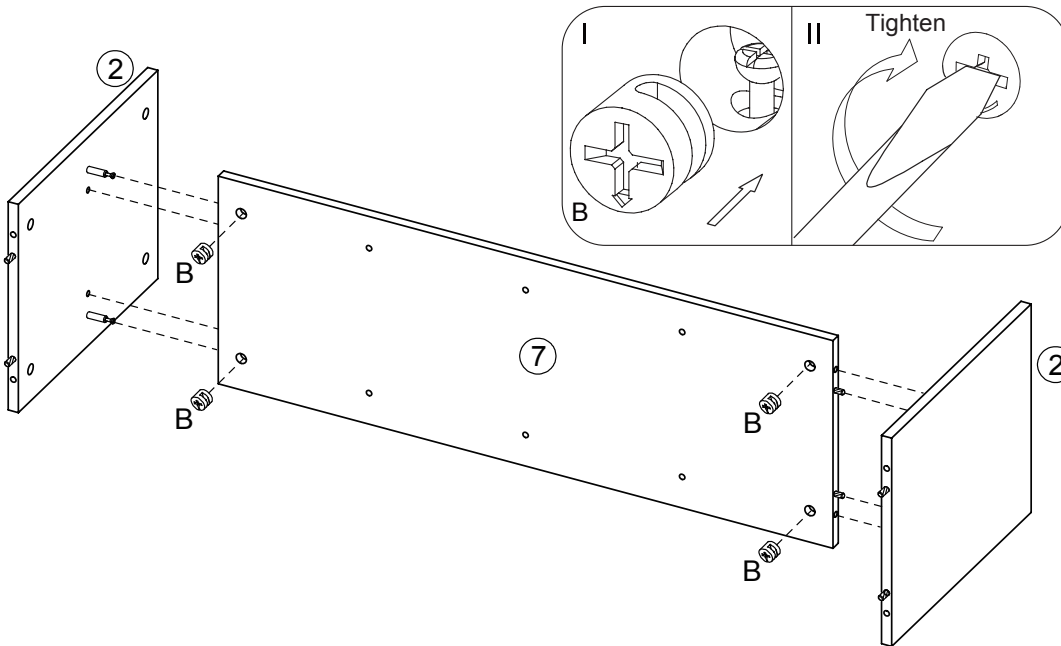
A x4



C x12

# KEMPTON SHOE BENCH WITH CUSHION ASSEMBLY INSTRUCTIONS

## STEP 5



For this step:  
**Tools required**

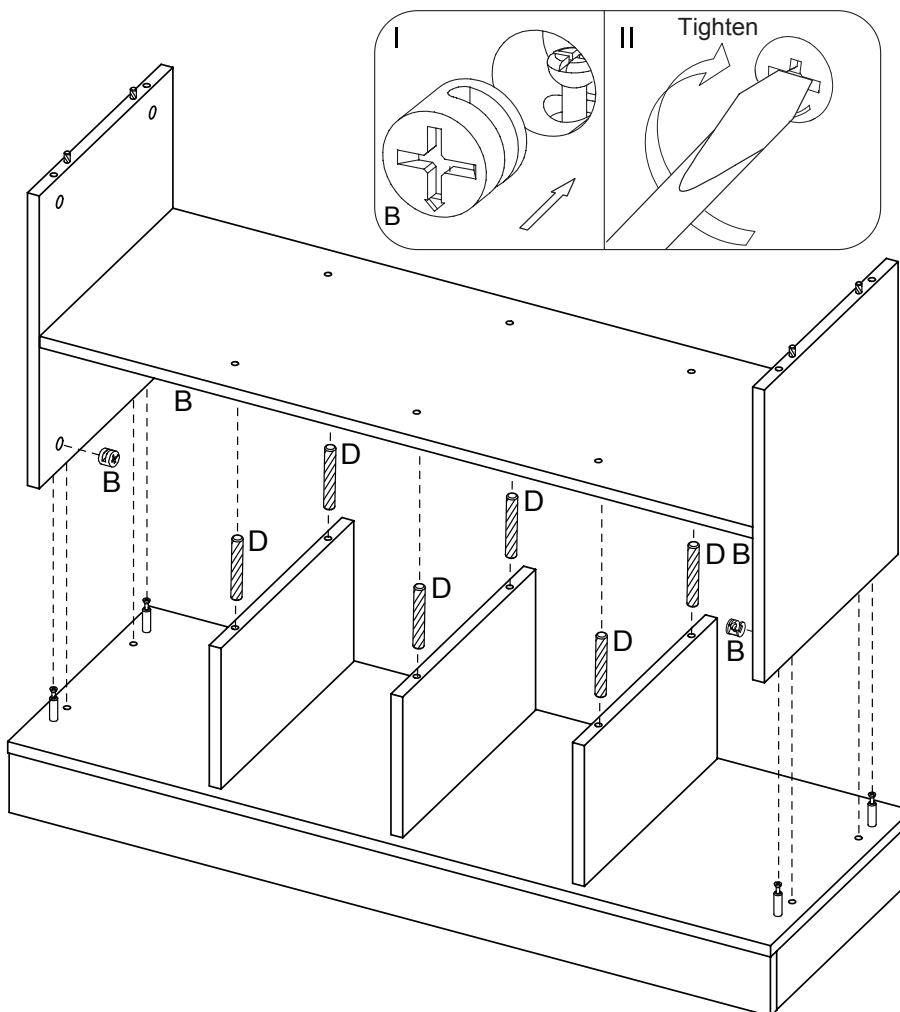


**Fittings required**



B x4

## STEP 6



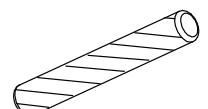
For this step:  
**Tools required**



**Fittings required**



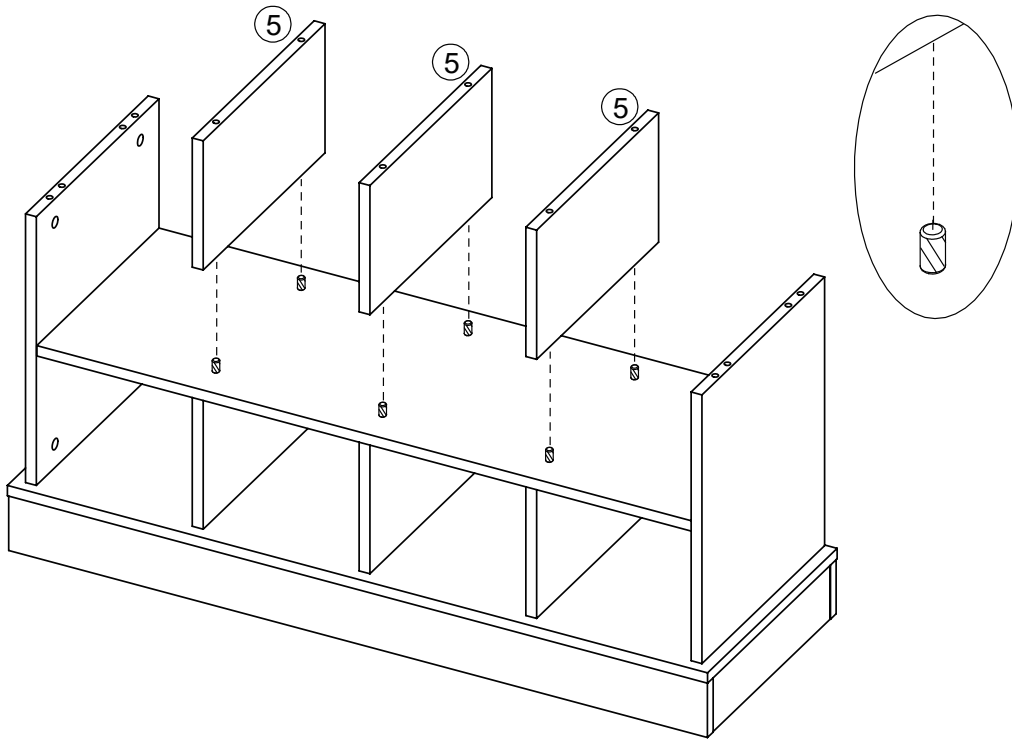
B x4



D x6

# KEMPTON SHOE BENCH WITH CUSHION ASSEMBLY INSTRUCTIONS

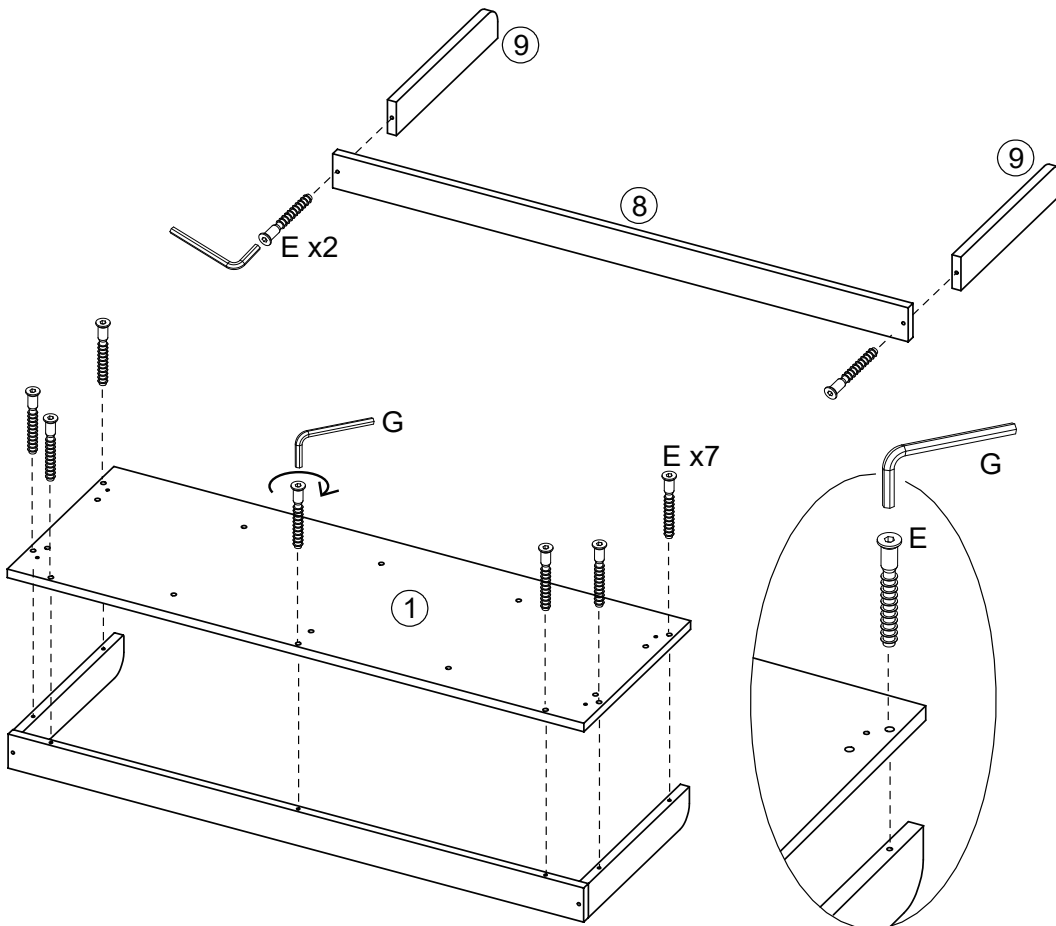
## STEP 7



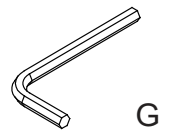
For this step:  
**Tools required**

**Fittings required**

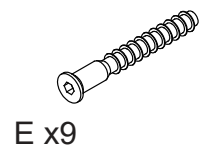
## STEP 8



For this step:  
**Tools required**



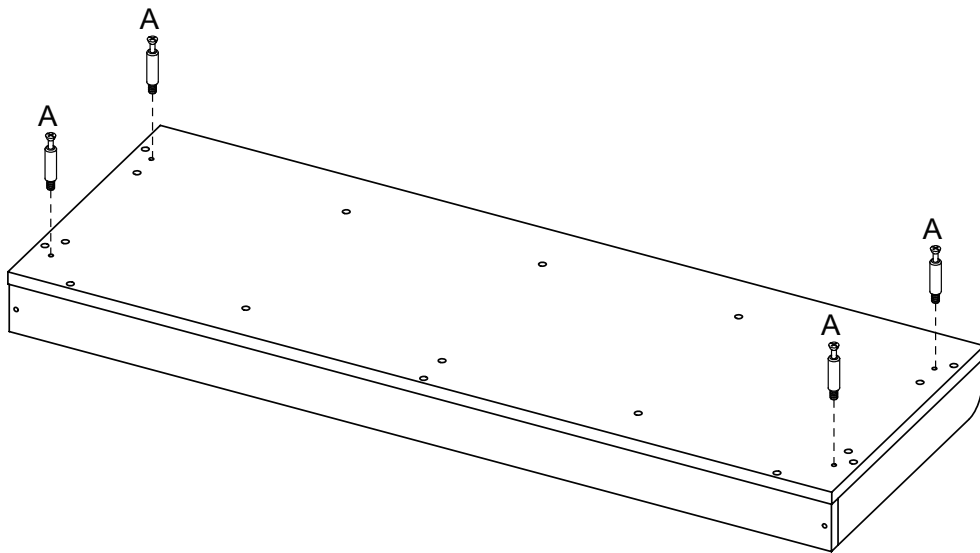
**Fittings required**



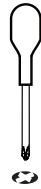


# KEMPTON SHOE BENCH WITH CUSHION ASSEMBLY INSTRUCTIONS

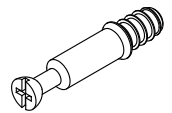
## STEP 9



For this step:  
**Tools required**

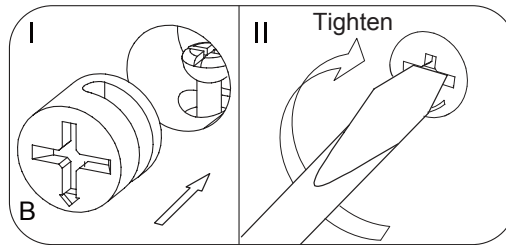
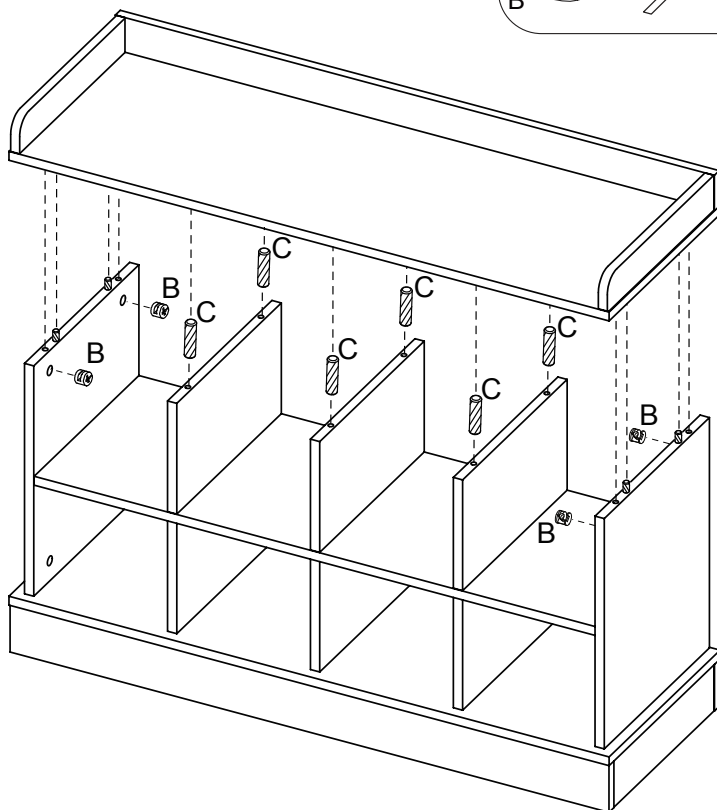


**Fittings required**

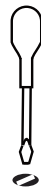


A x4

## STEP 10



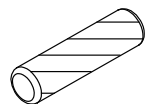
For this step:  
**Tools required**



**Fittings required**



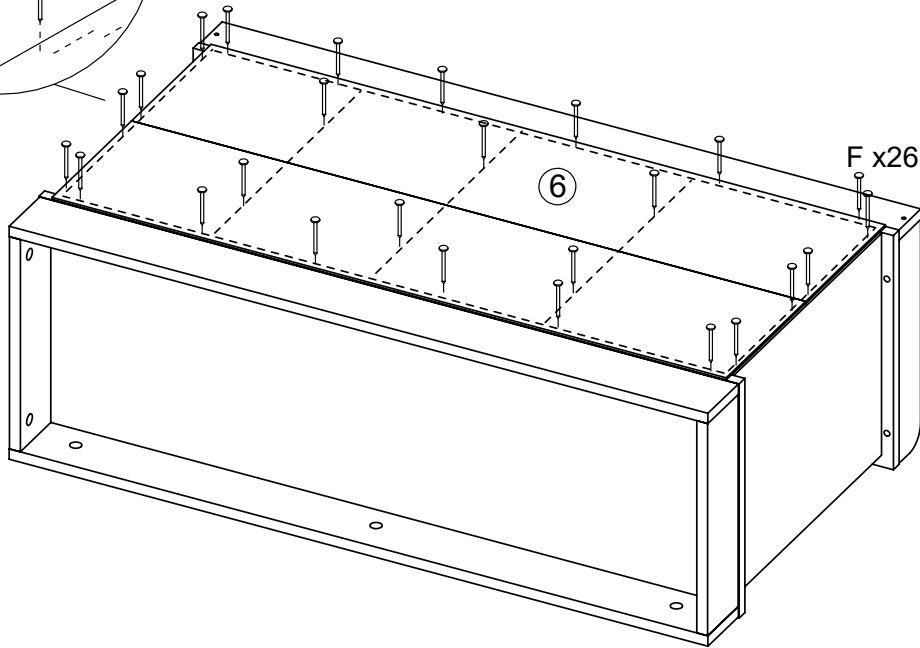
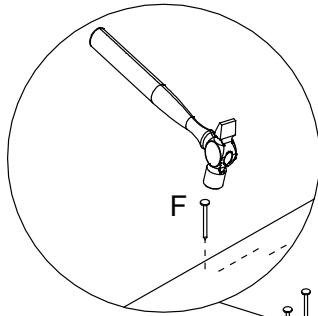
B x4



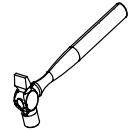
C x6

# KEMPTON SHOE BENCH WITH CUSHION ASSEMBLY INSTRUCTIONS

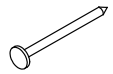
## STEP 11



For this step:  
**Tools required**

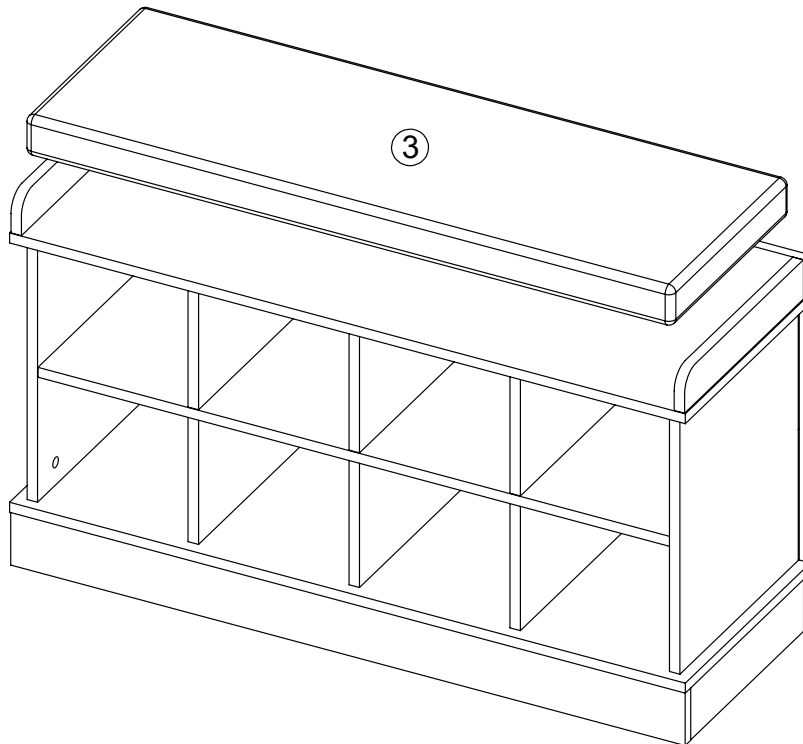


**Fittings required**



F x26

## STEP 12



For this step:  
**Tools required**

**Fittings required**

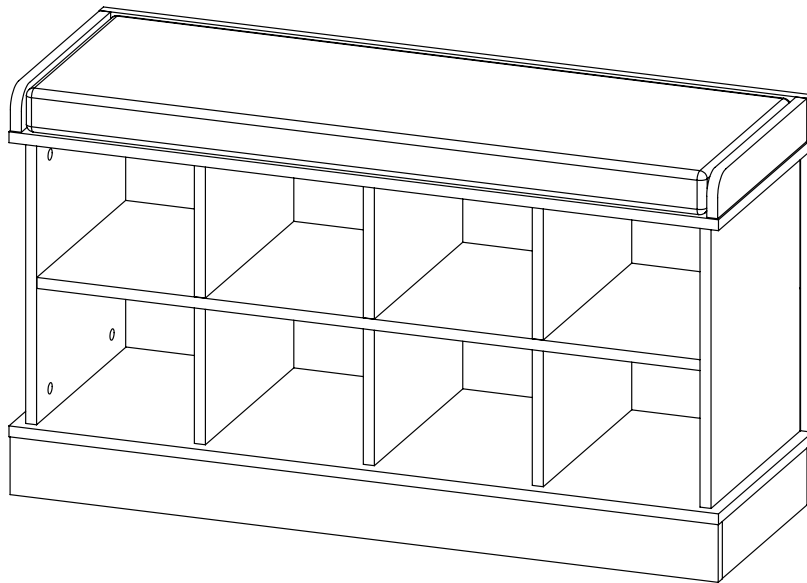
# KEMPTON SHOE BENCH WITH CUSHION ASSEMBLY INSTRUCTIONS

## Assembly Completed

Your Kempton Shoe Bench With Cushion is now completely assembled.

Periodically check to ensure that the components are in their proper position, free from damage.

Also, make sure the connectors are tight and secure.



**Keep instructions for future reference**

