



# Birlea

Suppliers of inspiration

## Assembly Instructions

---

*Thank you for purchasing a Birlea product.*

For a chance to win a *Love 2 Shop* voucher simply post a picture of your new product on your preferred social channels tagging Birlea Furniture and using the hashtag **#ShareYourStyle** and **#Birlea**. One winner will be selected at random each month.

*To view our full terms and conditions please visit our website. [www.birlea.com](http://www.birlea.com)*

---

### **Are you happy with your purchase?**

**Yes:** That's great, we would love to hear more from you. Please leave us a review on our social media channels or Trustpilot. Your feedback will be greatly appreciated.

**No:** If for any reason there is something missing, indifferent or incorrect with your order, please contact the retailer you purchased the item from. We will work with the retailer to resolve your issue as quickly as possible.



[www.birlea.com](http://www.birlea.com)

## **ASSEMBLY INSTRUCTIONS** **URBAN TV UNIT RUSTIC**

**IMPORTANT : READ THESE INSTRUCTIONS CAREFULLY BEFORE ATTEMPTING TO ASSEMBLE OR USE YOUR URBAN TV UNIT RUSTIC.**

**PLEASE KEEP THESE INSTRUCTIONS FOR FUTURE REFERENCE.**

### **ASSEMBLY:**

Assembly should be carried out with this item laying flat, not standing upright.

Assemble on a soft, clean surface to prevent damages.

To erase the numbers printed on the pieces, use the rubber inside the accessories pack.

### **HEALTH & SAFETY:**

DO NOT use this product if any parts are missing, damaged or worn.

DO NOT use this product unless all fixings are secured.

Always use on a level, even surface.

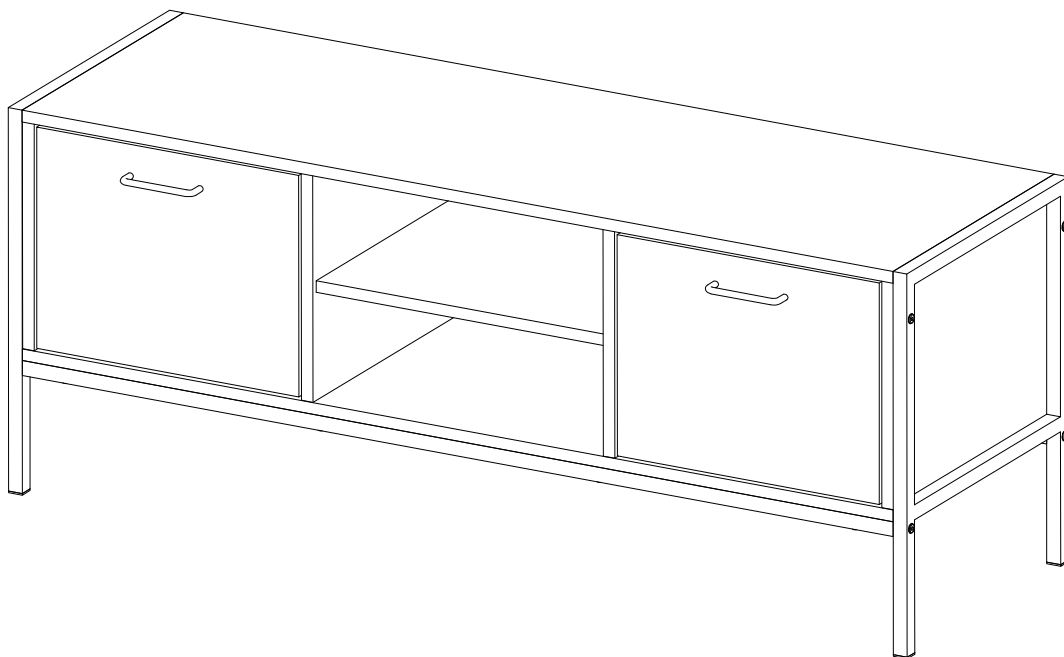
### **CARE & MAINTENANCE:**

Periodically check all screws & fixings to ensure they are secure.

DO NOT push the product as this will cause damage.

Always lift the product with two people to reposition.

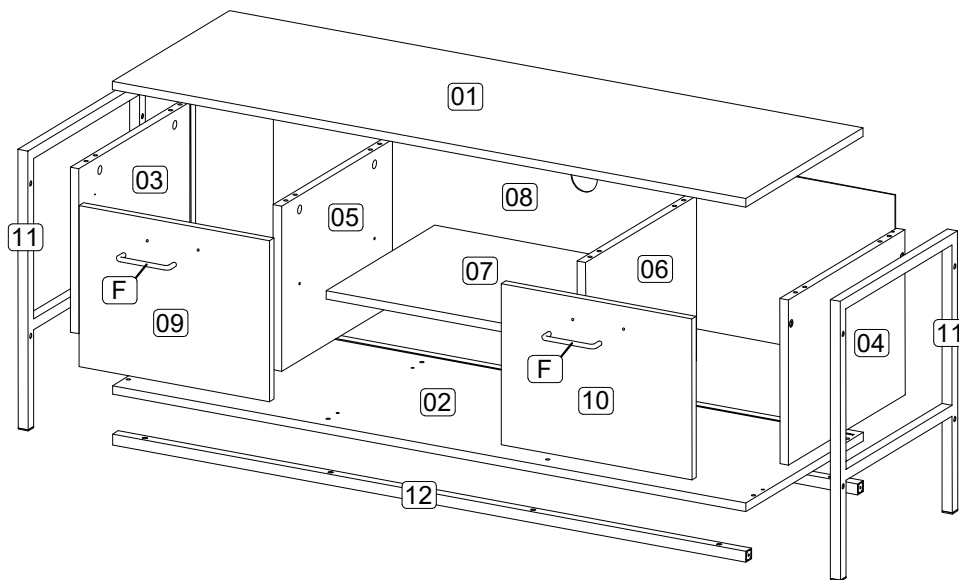
Keep any sharp objects away from the product.















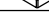



**Birlea**

Suppliers of inspiration

[www.birlea.com](http://www.birlea.com)



Parts List			Hardware List		
Part	Description	Qty	Part	Description	Qty
01	Top panel	1	A1	Cam lock 	8
02	Bottom panel	1	A2	Minifix screw 	8
03	Side panel ( Left )	1	A3	Plastic cap 	8
04	Side panel ( Right )	1	B	M8 x 30mm Wood Dowel 	16
05	Center Panel (Left)	1	C	M6 x 50mm CSK Cap Wood screw 	8
06	Center Panel (Right)	1	D	Allen key M4 	1
07	Shelf Panel	1	E	M3.5 x 16mm C.B Screw 	16
08	Back Panel	1	F	Handle 100.96. BLM 	2
09	Door Panel (Left)	1	G	Handle screw M4 x 19mm 	4
10	Door Panel (Right)	1	H	JCBC screw M6 x 30mm 	12
11	Metal Frame Side	2	I	JCBC screw M6 x 40mm 	4
12	Metal Frame Middle	2	J	7/8 Hinges 	4
<b>** You will need a small mallet and a screwdriver for assembly.</b> <b>** Some screws and wooden dowel</b>			K	Metal Shelf Support 	4
			L1	Stud 192 	8
			L2	Stud 192 screw 	8
			M	Stopper (2 Pin) 	2

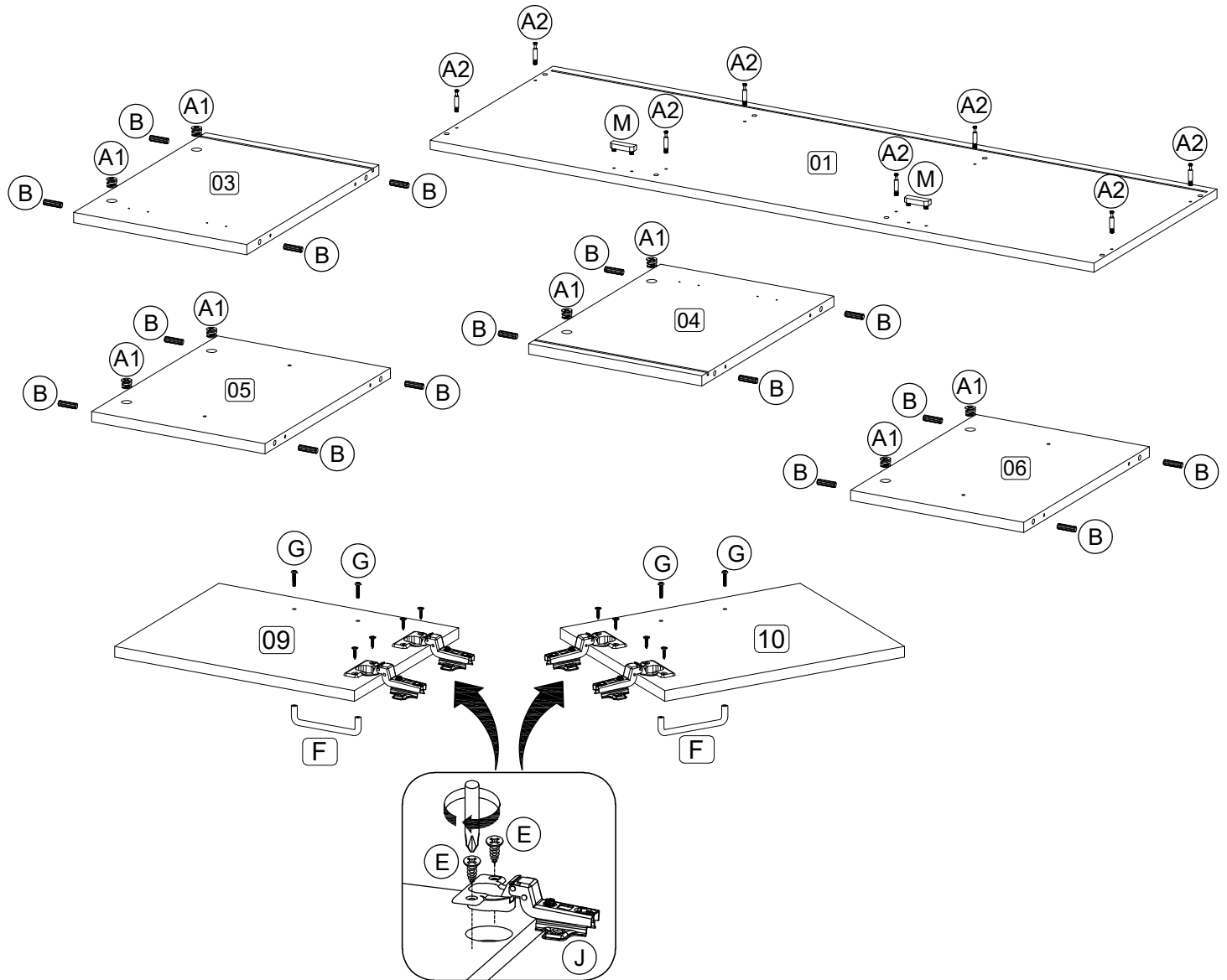


# Birlea

Suppliers of inspiration

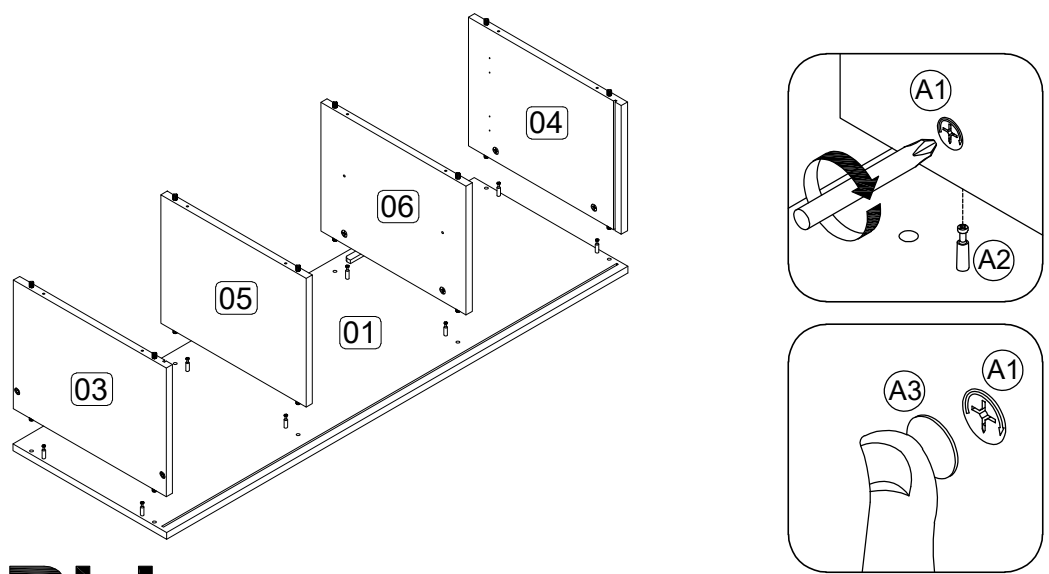
**Step 1:** Prepare these parts for assembly using hardware parts A1, A2, B, E, F, G, J and M.

**DO NOT use any power tools as this may damage the frame and will invalidate any claim.**



**Step 2:** Attach panel (3), (4), (5) and (6) to panel (1) using hardware A1, A2 and A3 with a screwdriver (not provided)

**DO NOT use any power tools as this may damage the frame and will invalidate any claim.**

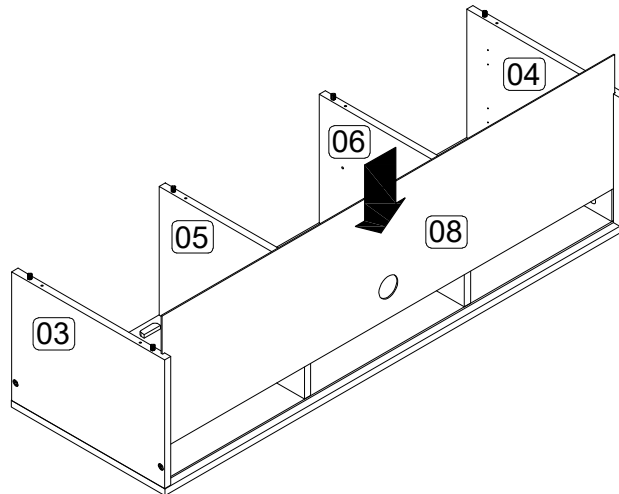


**Birlea**

Suppliers of inspiration

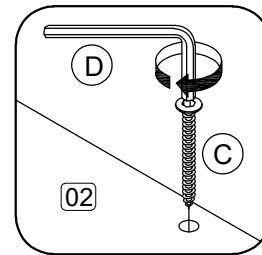
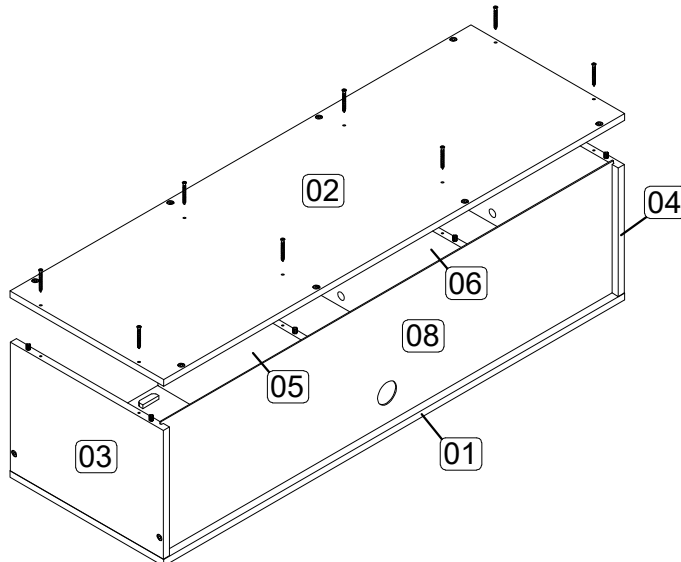
**Step 3:** Insert panel (8) along the slot.

**DO NOT use any power tools as this may damage the frame and will invalidate any claim.**



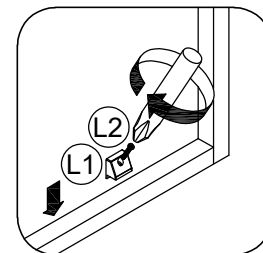
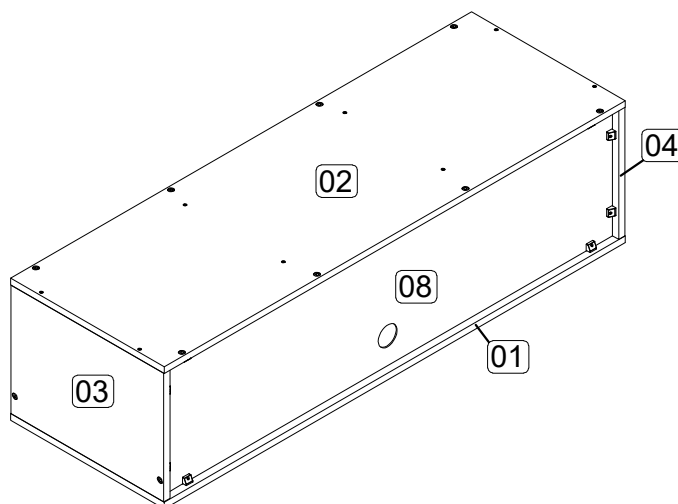
**Step 4:** Attach panel (2) to panel (3), (4), (5) and (6) using hardware C and D.

**DO NOT use any power tools as this may damage the frame and will invalidate any claim.**



**Step 5:** Attach hardware L1 into panel (1), (2), (3) and (4) using hardware L2 with a screwdriver (not provided).

**DO NOT use any power tools as this may damage the frame and will invalidate any claim.**

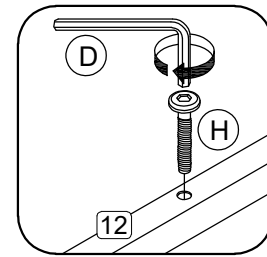
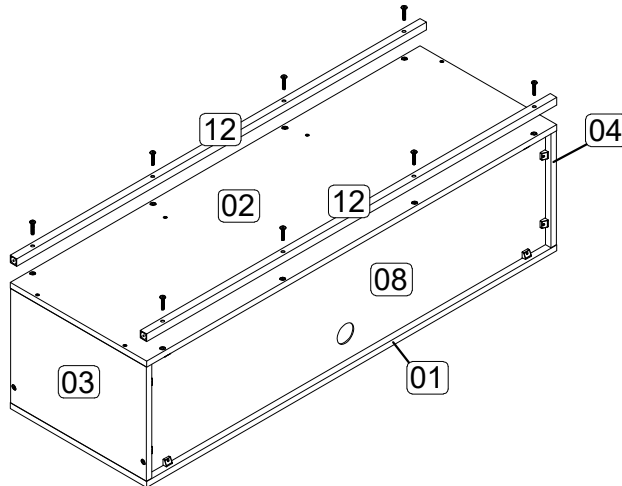


**Birlea**

Suppliers of inspiration

**Step 6:** Attach Metal Frame Middle (12) to panel (2) using hardware D and H.

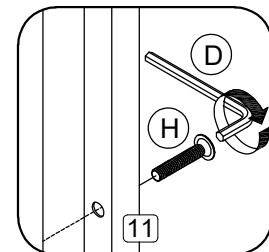
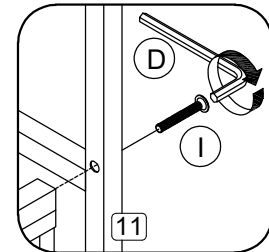
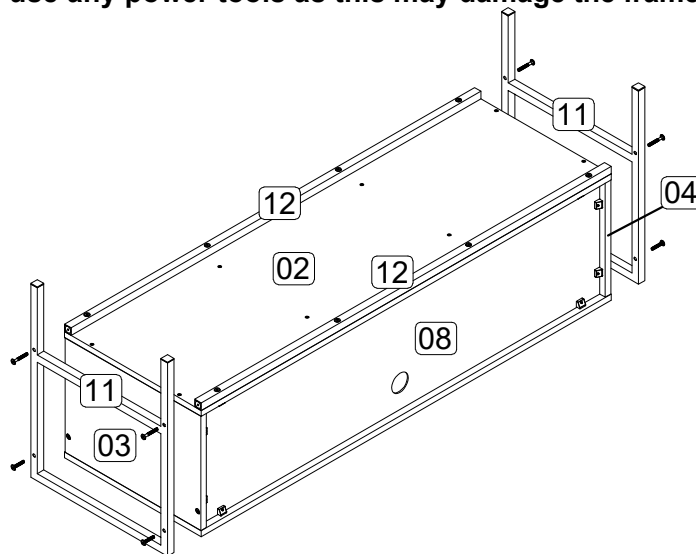
**DO NOT use any power tools as this may damage the frame and will invalidate any claim.**



**Step 7:** Attach Metal Frame Side (11) to panel (3) and (4) using hardware D and H.

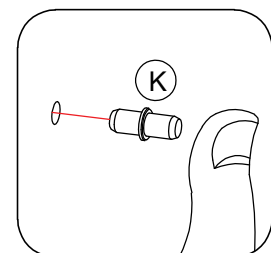
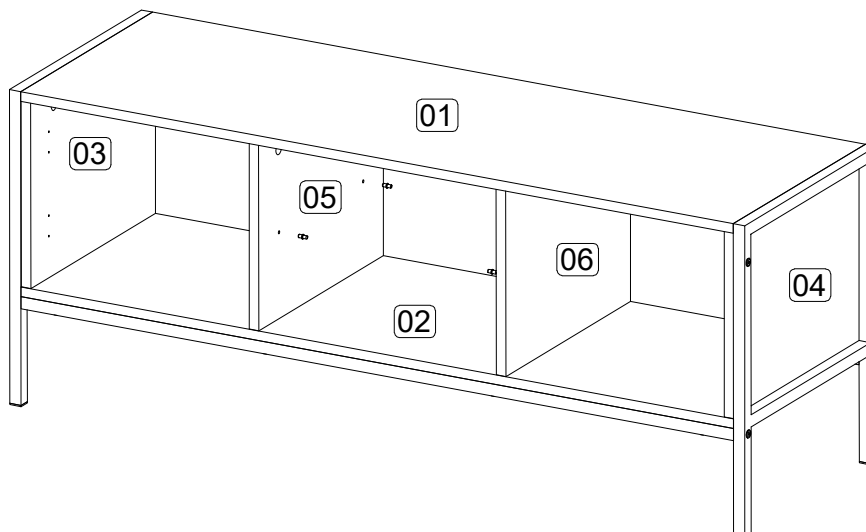
Attach Metal Frame Side (11) to Metal Frame Middle (12) using hardware D and I.

**DO NOT use any power tools as this may damage the frame and will invalidate any claim.**



**Step 8:** Insert hardware K into mounting positions on panel (5) and (6).

**DO NOT use any power tools as this may damage the frame and will invalidate any claim.**

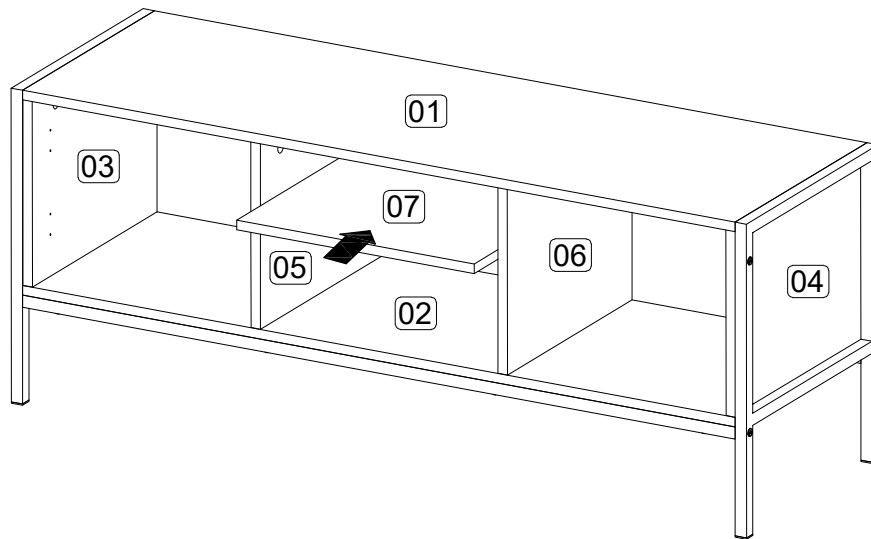


**Birlea**

Suppliers of inspiration

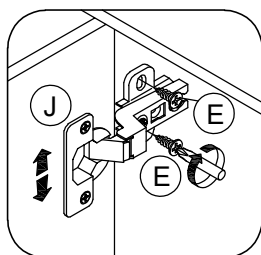
**Step 9:** Insert panel (7) between panel (5) and (6).

**DO NOT use any power tools as this may damage the frame and will invalidate any claim.**

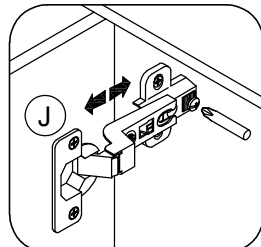


**Step 10:** Attach panel (9) and (10) to panel (3) and (4) using hardware E with a screwdriver (not provided).

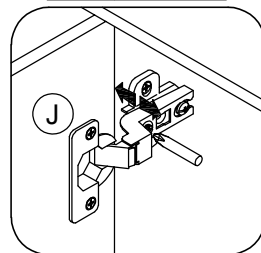
**DO NOT use any power tools as this may damage the frame and will invalidate any claim.**



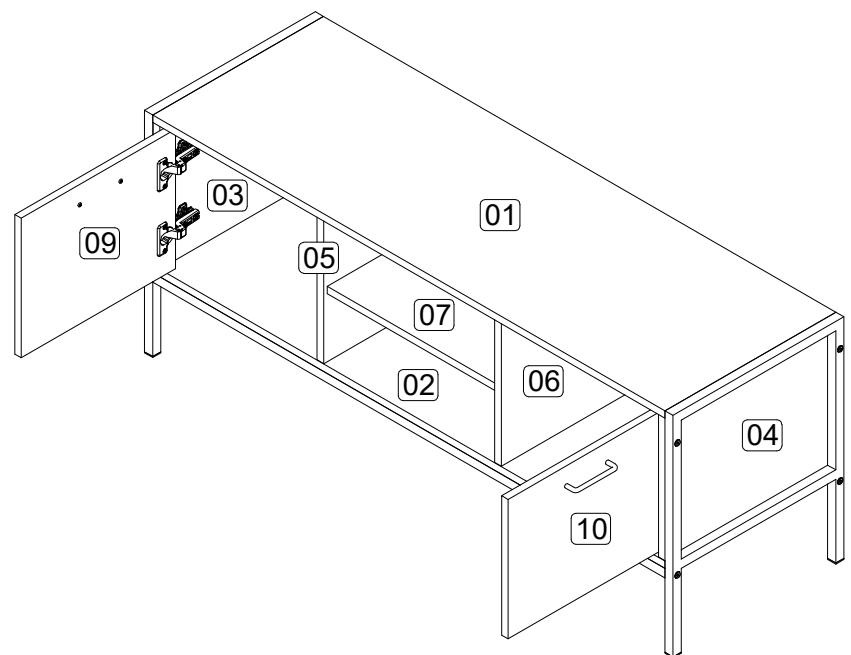
Vertical  
Adjustment



Horizontal  
Adjustment



Depth  
Adjustment



### Additional Information:

- For complete product information, images and dimension diagrams please visit the website [www.birlea.com](http://www.birlea.com)
- If you have any issues with your item please contact the retailer directly you purchased it from who will be able to resolve any issues with Birlea.
- Why don't you send us photos of your assembled furniture to [info@birlea.com](mailto:info@birlea.com) to be shared in our #birleahome feature on instagram.



# Birlea

Suppliers of inspiration