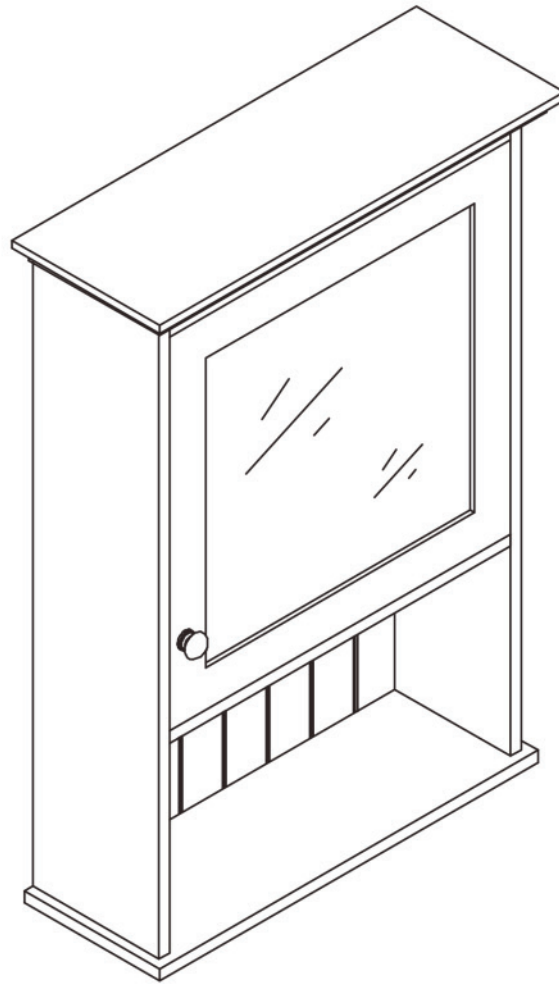


COLONIAL MIRRORED CABINET ASSEMBLY INSTRUCTIONS

Thank you for purchasing the COLONIAL MIRRORED CABINET.
Please read the instructions carefully to ensure safe operation of the product.



W465 x D170 x H670mm
COLOUR: WHITE / GREY

PLEASE READ this sheet prior to assembly to familiarise yourself with the various stages of construction.

Carefully open the pack supplied and check the contents against the parts and fittings check list. Do not destroy any of the packaging until you are certain that you have all the necessary parts for the assembly.

CAUTION: There are small components used in the construction of this unit. These loose items should be kept away from young children whilst assembling your unit to avoid the danger of choking hazards.

Tools Required:



COLONIAL MIRRORED CABINET ASSEMBLY INSTRUCTIONS

IMPORTANT - READ CAREFULLY - RETAIN THESE INSTRUCTIONS FOR FUTURE REFERENCE.

INFORMATION

- Due to the size of this product we recommend that it is assembled in the room intended for use.
- When you are ready to start, make sure that you have the right tools, plenty of space and a clean, dry area for assembly.
- Unwrap all packaging materials and place the components on top of the carton box or on a clean floor to prevent it from scratching.
- Check the pack and make sure you have all the parts listed.
- Ensure that this product is fully assembled as illustrated before use.
- Check all screws or bolts are tightened and inspect regularly
- Tools are not included.
- This product should only be used on firm, level ground.
- Keep small parts out of reach of children.
- Make sure the legs remain in contact with the ground.

WARNINGS

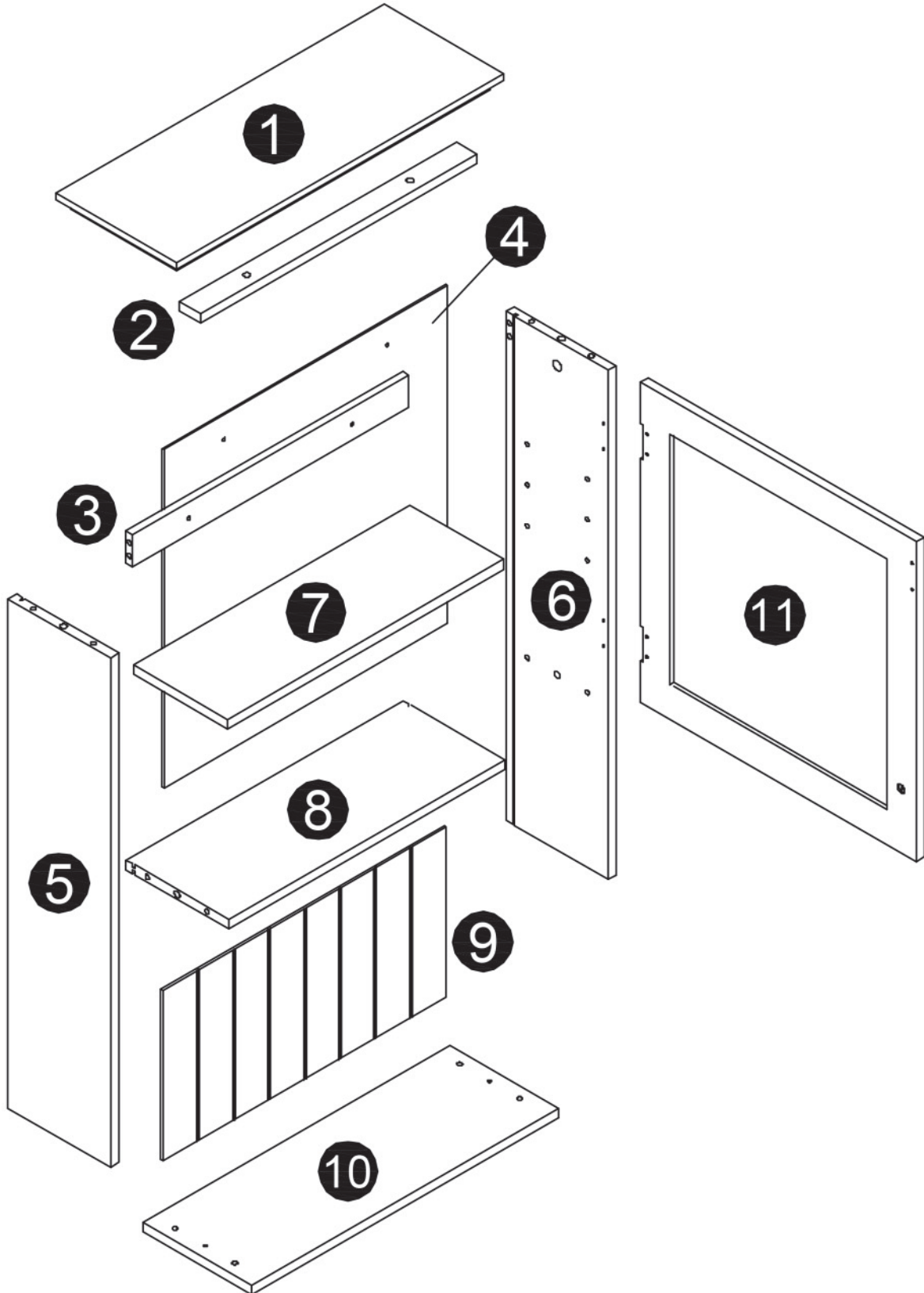
- DO NOT use power tools to construct this product.
- DO NOT tighten screws until fully assembled.
- DO NOT over tighten screws or bolts.
- DO NOT use this product if parts are missing, damaged or worn.
- DO NOT sit or stand on the product.
- If a mirror component is chipped or broken, stop using the product and consult the manufacturer or supplier.
- DO NOT lean on the vertical mirror surface.
- DO NOT strike the mirror with hard or pointed items.

CARE INFORMATION

- Never use scourers, abrasives or chemical cleaners.
- To clean wipe with a sponge and warm soapy water. Do not use solvent based cleaners or detergents as they can bleach or damage the product.
- When cleansing glass panel.

COLONIAL MIRRORED CABINET ASSEMBLY INSTRUCTIONS

Please check the pack contents before assembling the product. If any components are missing, please contact your retailer. The fittings pack contains small items that should be kept away from small children.




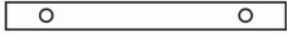








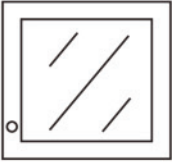
COLONIAL MIRRORED CABINET ASSEMBLY INSTRUCTIONS

Parts and Fittings Checklist

Please check the pack contents before assembling this product. If any components are missing, please contact your retailer.

The fittings pack contains small items that should be kept away from small children.

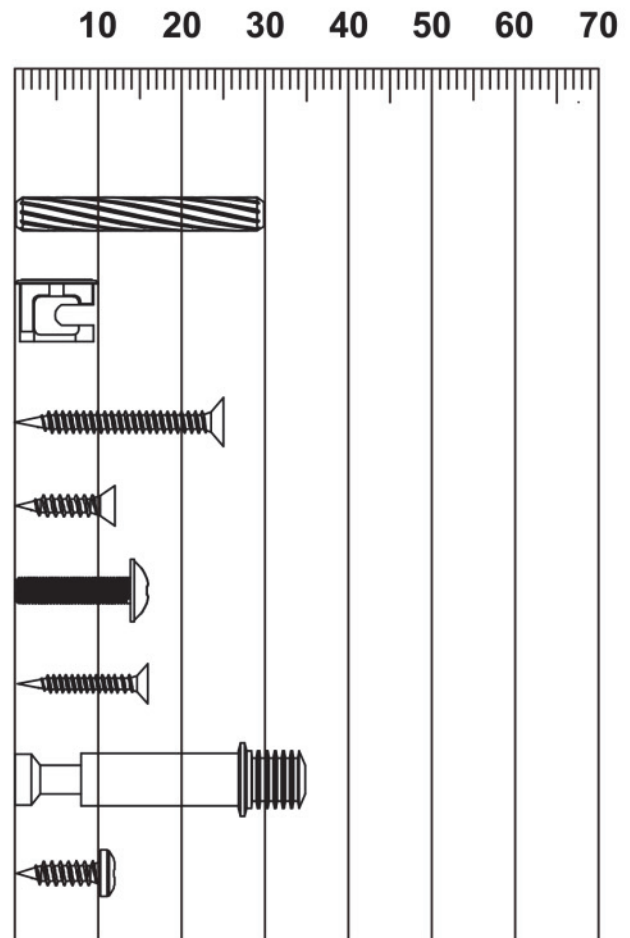
Parts

<p>1</p> 	<p>2</p> 	<p>3</p> 	<p>4</p> 
<p>Description: TOP PANEL Qty: 1PC Size:465×170×15MM</p>	<p>Description: UPPER FRONT APRON Qty: 1PC Size:420×30×12MM</p>	<p>Description: BACK WALL CLEAT Qty: 1PC Size:420×46×12MM</p>	<p>Description: UPPER REAR PANEL Qty: 1PC Size:438×438×3MM</p>
<p>5</p> 	<p>6</p> 	<p>7</p> 	<p>8</p> 
<p>Description: LEFT SIDE PANEL Qty: 1PC Size:640×160×12MM</p>	<p>Description: RIGHT SIDE PANEL Qty: 1PC Size:640×160×12MM</p>	<p>Description: SHELF PANEL Qty: 1PC Size:420×142×12MM</p>	<p>Description: MIDDLE FIXED SHELF PANEL Qty: 1PC Size:420×155×12MM</p>
<p>9</p> 	<p>10</p> 	<p>11</p> 	
<p>Description: LOWER BACK PANEL Qty: 1PC Size:436×225×3MM</p>	<p>Description: BOTTOM PANEL Qty: 1PC Size:465×170×12MM</p>	<p>Description: DOOR Qty: 1PC Size:415×415×12MM</p>	

COLONIAL MIRRORED CABINET ASSEMBLY INSTRUCTIONS

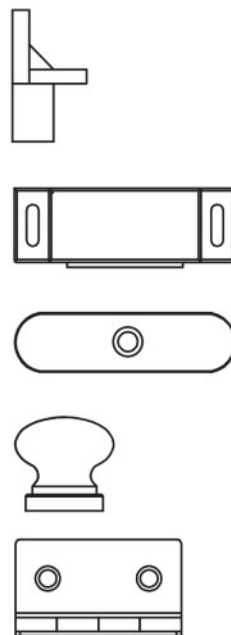
Fixings (to scale)

Ref	Dimensions	Qty
A	Wood Dowel- \varnothing 5.8x30	16
B	Cam-12x10	4
C	Screw- \varnothing 4x35	2
D	Screw- \varnothing 3x12	11
E	Bolt- \varnothing 4x16	1
F	Screw- \varnothing 4x16	2
G	Cam Bolt- \varnothing 6x35	4
H	Screw- \varnothing 3x12	19



(Not to scale)

I	Shelf Support	4
J	Magnetic Catch	1
K	Metal Plate	1
L	Handle	1
M	Hinge	2



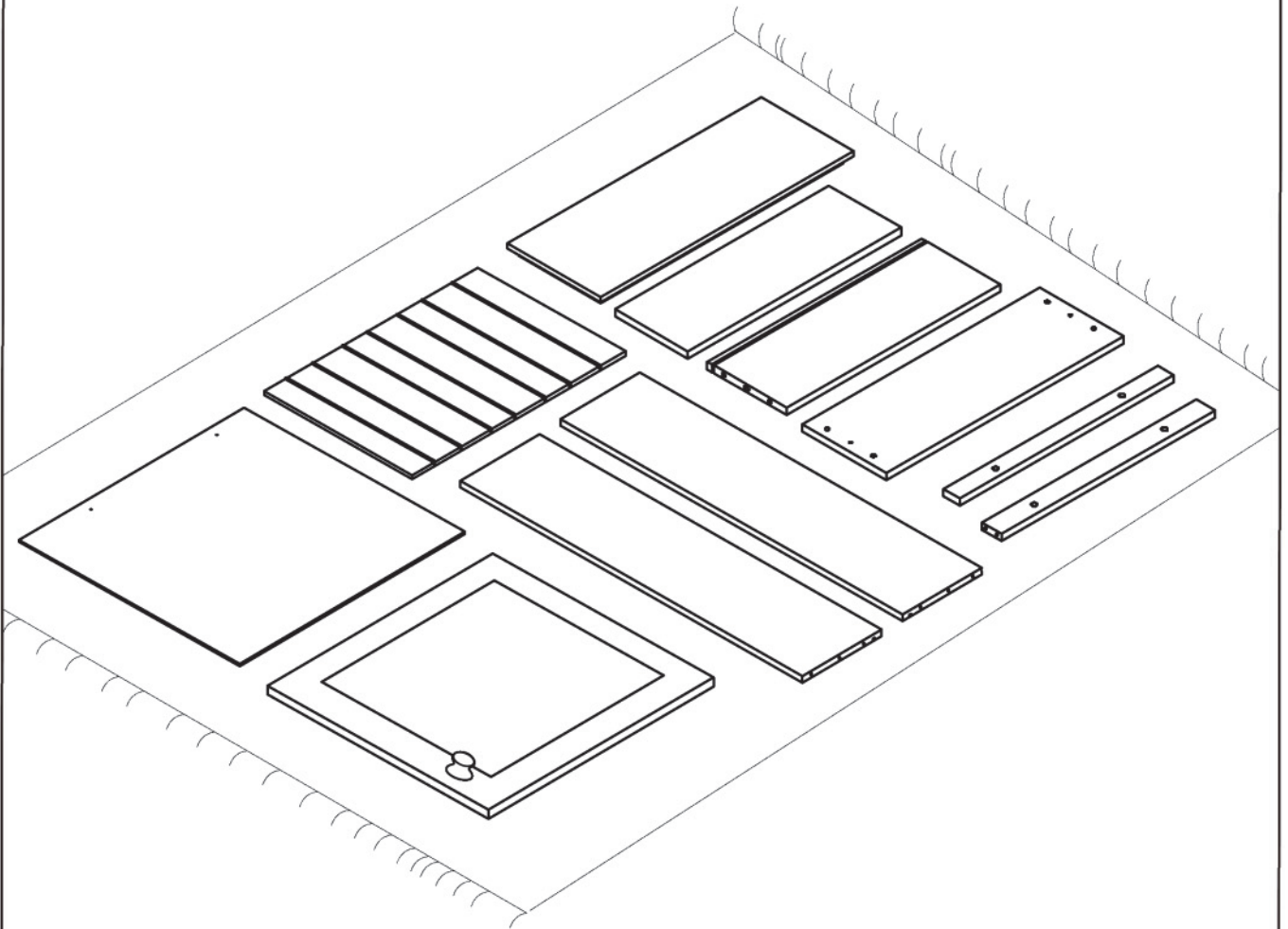
CAUTION: There are many small components used in the construction of this product. Please keep these components away from young children whilst assembling this product.

If you keep the fittings in a bowl during assembly you will be less likely to lose them!

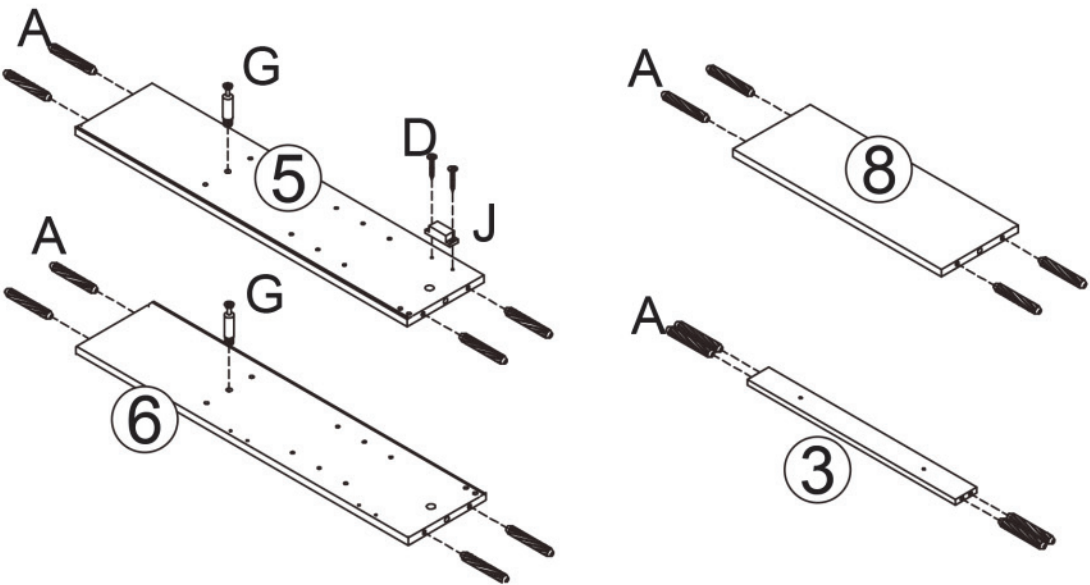
COLONIAL MIRRORED CABINET ASSEMBLY INSTRUCTIONS

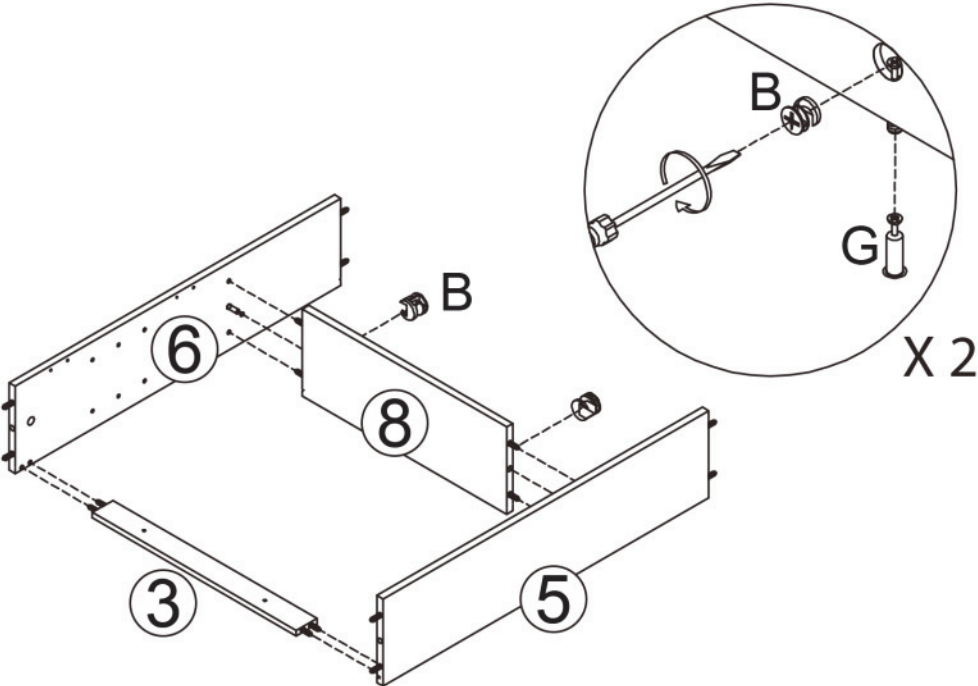
Layout Parts on Soft Surface

Lay out all parts on a soft surface i.e. Rug, Carpet or Packaging Carton.

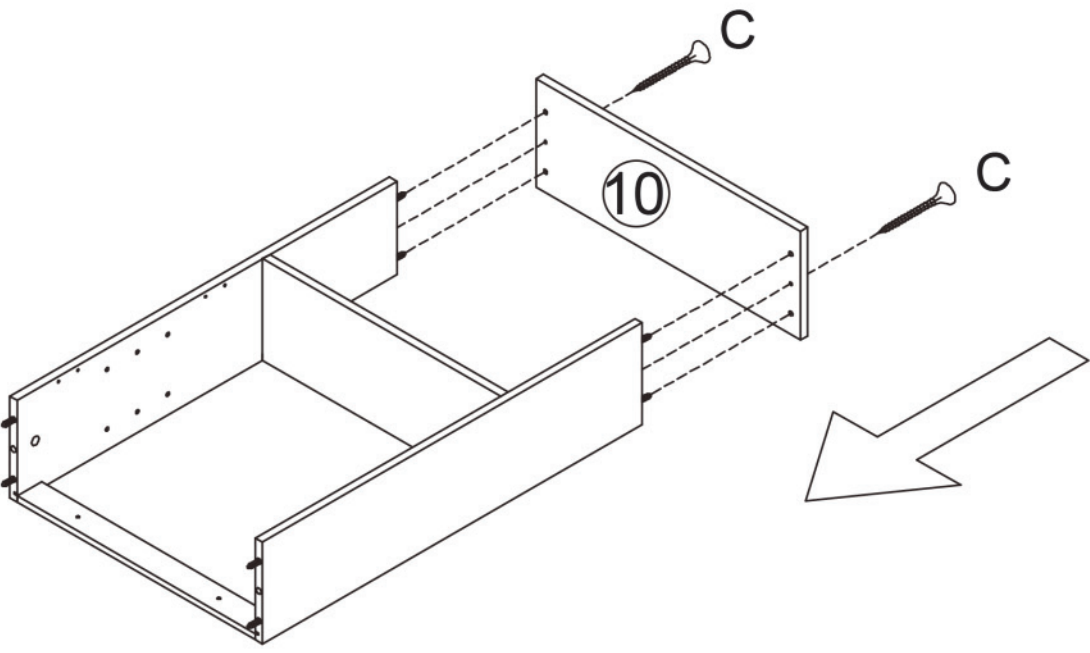


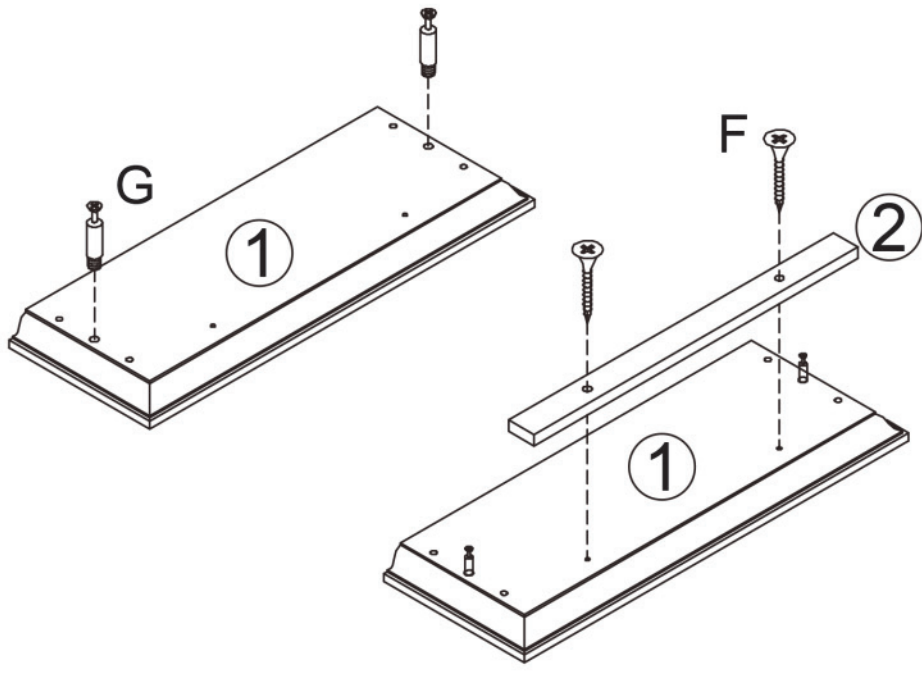
COLONIAL MIRRORED CABINET ASSEMBLY INSTRUCTIONS

STEP 1	Parts Required
	<p>3. Back Wall Cleat x 1</p> <p>5. Left Side Panel x 1</p> <p>6. Right Side Panel x 1</p> <p>8. Middle Fixed Shelf Panel x 1</p> <p>A. Wood Dowel x 16</p> <p>D. 12mm Screw x 2</p> <p>G. Cam Bolt x 2</p> <p>J. Magnetic Catch x 1</p>

STEP 2	Parts Required
	<p>3. Back Wall Cleat x 1</p> <p>5. Left Side Panel x 1</p> <p>6. Right Side Panel x 1</p> <p>8. Middle Fixed Shelf Panel x 1</p> <p>B. Cam x 2</p>

COLONIAL MIRRORED CABINET ASSEMBLY INSTRUCTIONS

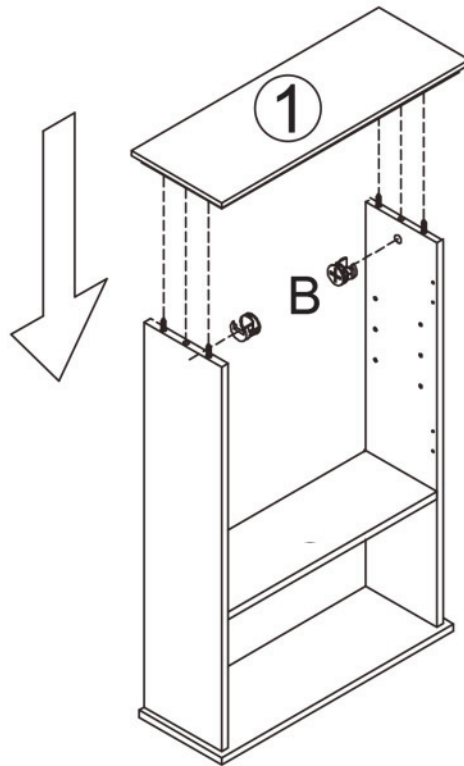
STEP 3	Parts Required
	<p>10. Bottom Panel x 1</p> <p>C. 35mm Screw x 2</p>

STEP 4	Parts Required
	<p>1. Top Panel x 1</p> <p>2. Upper Front Apron x 1</p> <p>F. 16mm Screw x 2</p> <p>G. Cam Bolt x 2</p>

COLONIAL MIRRORED CABINET ASSEMBLY INSTRUCTIONS

STEP 5

Parts Required

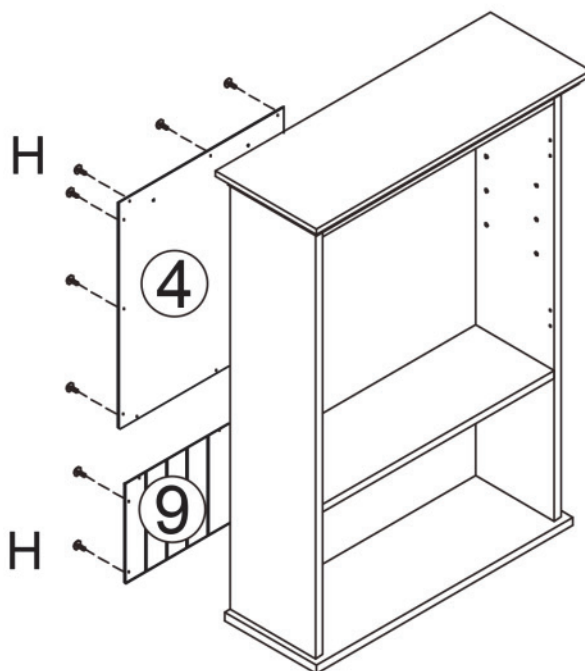


1. Top Panel x 1

B. Cam x 2

STEP 6

Parts Required



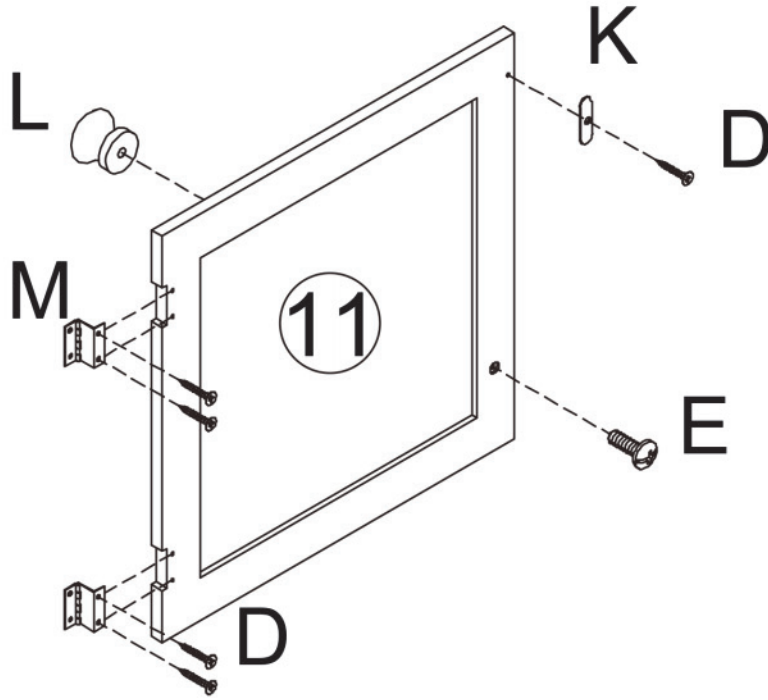
4. Upper Rear
Panel x 1

9. Lower Back
Panel x 1

H. 12mm Screw
x 19

COLONIAL MIRRORED CABINET ASSEMBLY INSTRUCTIONS

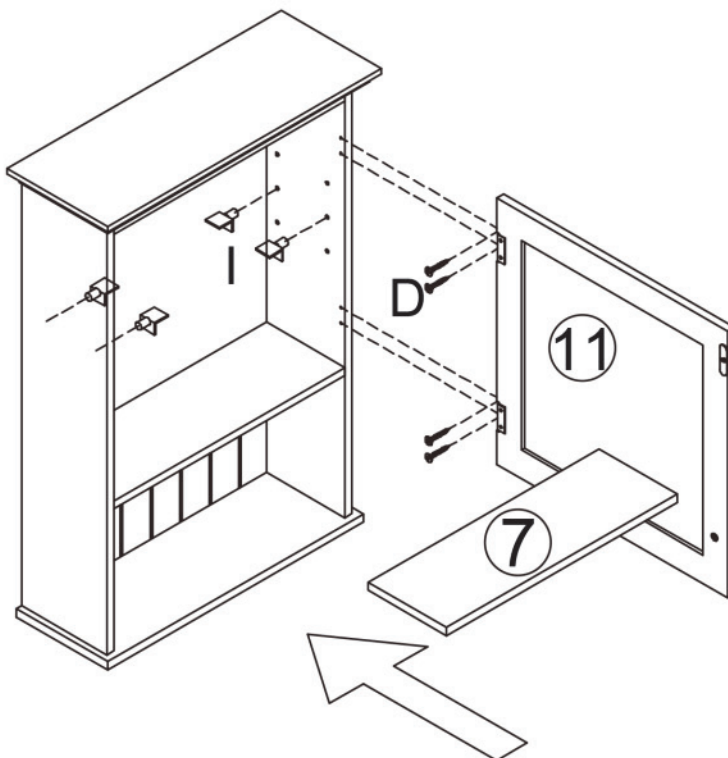
STEP 7



Parts Required

- 11. Door x 1
- D. 12mm Screw x 5
- E. Bolt x 1
- K. Metal Plate x 1
- L. Handle x 1
- M. Hinge x 2

STEP 8



Parts Required

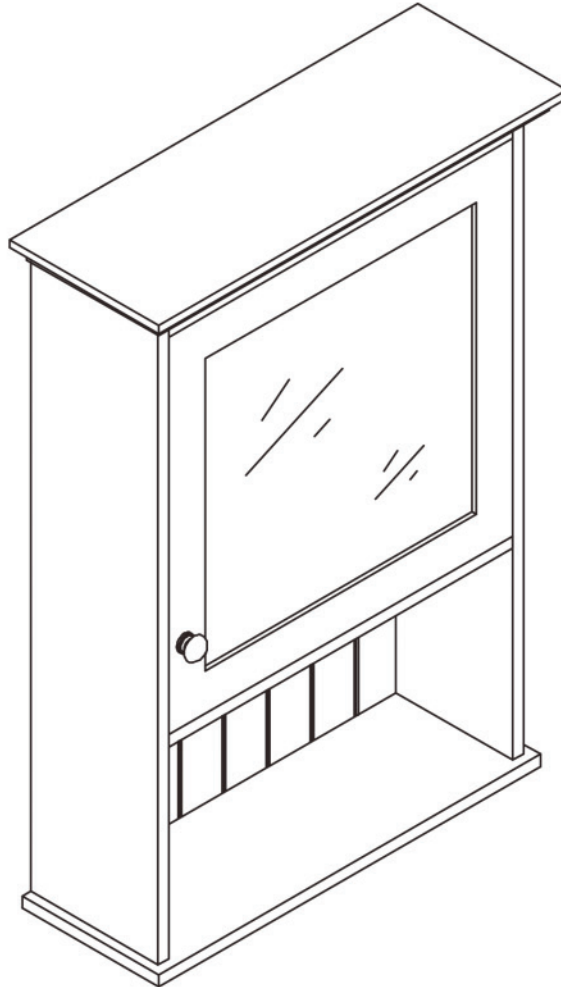
- 7. Shelf Panel x 1
- 11. Door x 1
- D. 12mm Screw x 4
- I. Shelf Support x 4

COLONIAL MIRRORED CABINET ASSEMBLY INSTRUCTIONS

Complete Assembly

Your COLONIAL MIRRORED CABINET is now completely assembled.

Periodically check to ensure that the components are in their proper position, free from damage. Also, make sure the connectors are tight and secure.



Keep instructions for future reference

