

Birlea

Suppliers of inspiration

Assembly Instructions

Thank you for
purchasing a
Birlea product.

For a chance to win a *Love 2 Shop* voucher simply post a picture of your new product on your preferred social channels tagging Birlea Furniture and using the hashtag **#ShareYourStyle** and **#Birlea**. One winner will be selected at random each month.

To view our full terms and conditions please visit our website. www.birlea.com

Are you happy with your purchase?

Yes: That's great, we would love to hear more from you. Please leave us a review on our social media channels or Trustpilot. Your feedback will be greatly appreciated.

No: If for any reason there is something missing, indifferent or incorrect with your order, please contact the retailer you purchased the item from. We will work with the retailer to resolve your issue as quickly as possible.



www.birlea.com

ASSEMBLY INSTRUCTIONS **URBAN NEST OF TABLES**

IMPORTANT : READ THESE INSTRUCTIONS CAREFULLY BEFORE ATTEMPTING TO ASSEMBLE OR USE YOUR URBAN NEST OF TABLES.

PLEASE KEEP THESE INSTRUCTIONS FOR FUTURE REFERENCE.

ASSEMBLY:

Assembly should be carried out with this item laying flat, not standing upright.

Assemble on a soft, clean surface to prevent damages.

To erase the numbers printed on the pieces, use the rubber into the accessories pack.

HEALTH & SAFETY:

DO NOT use this nest of table if any parts are missing, damaged or worn.

DO NOT use this nest of table unless all fixings are secured.

Always use on a level, even surface.

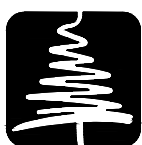
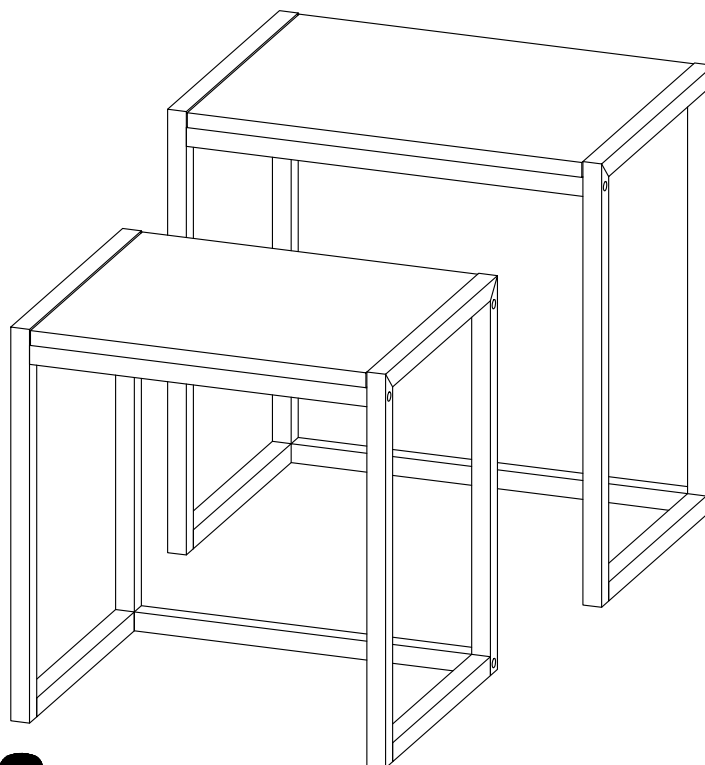
CARE & MAINTENANCE:

Periodically check all screws & fixings to ensure they are secure.

DO NOT push the nest of table as this will cause damage.

Always lift the nest of table with two people to repositions.

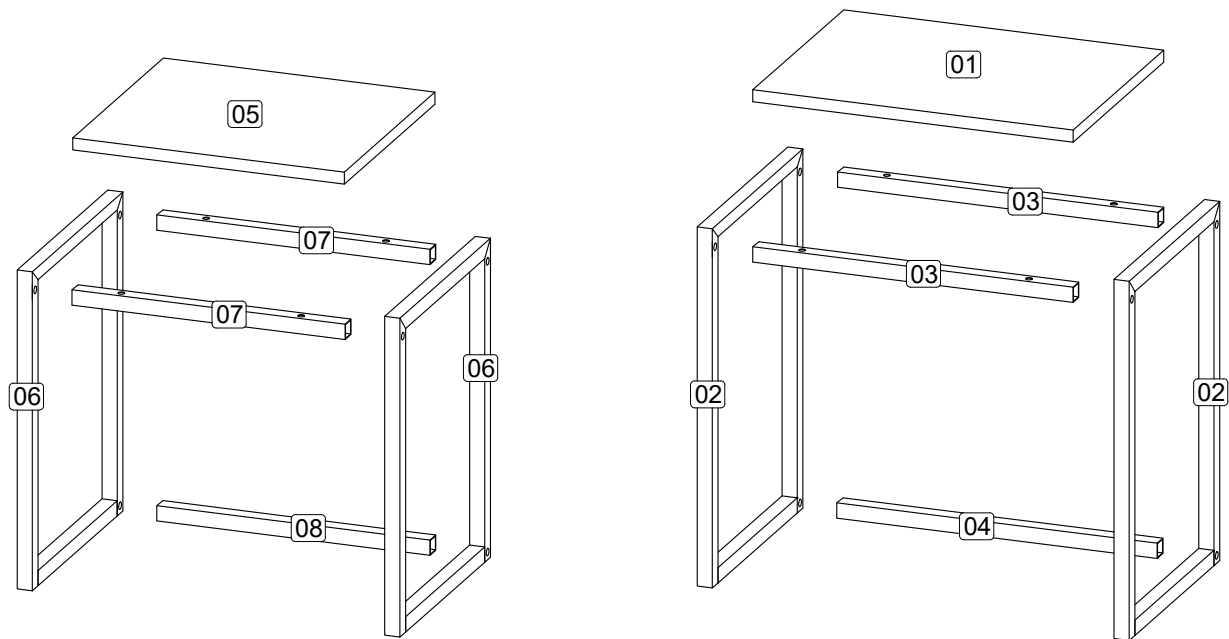
Keep any sharp objects away from the nest of table.



Birlea

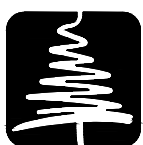
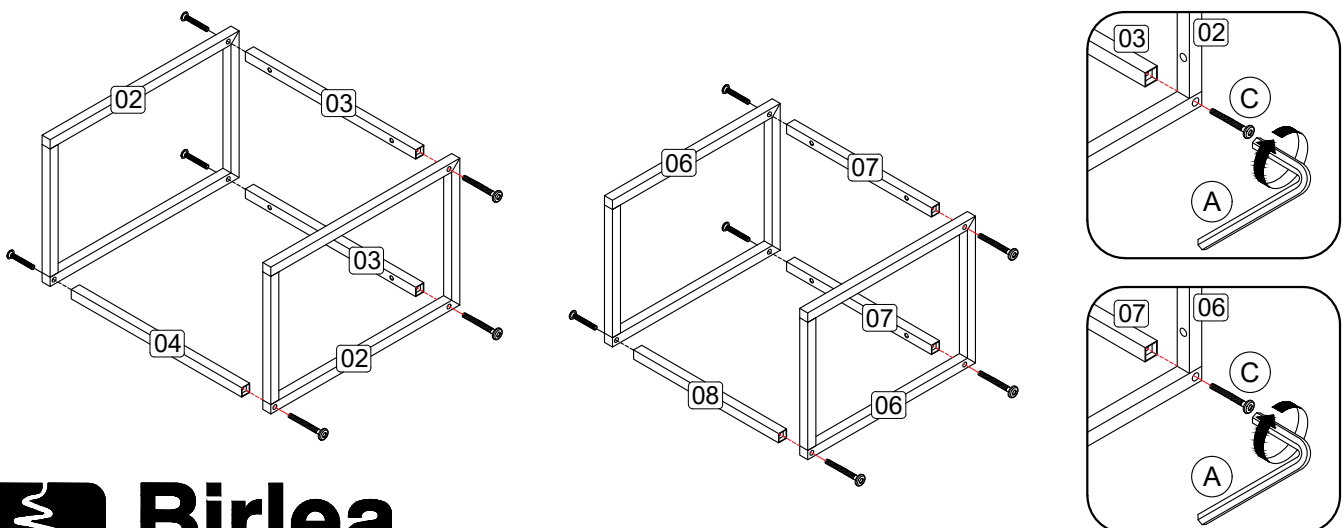
Suppliers of inspiration

www.birlea.com



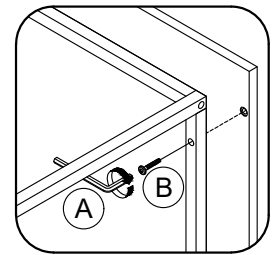
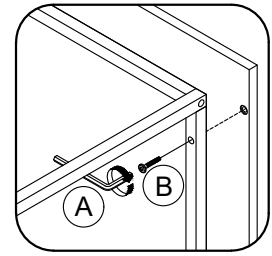
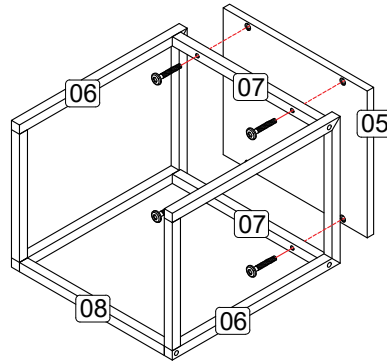
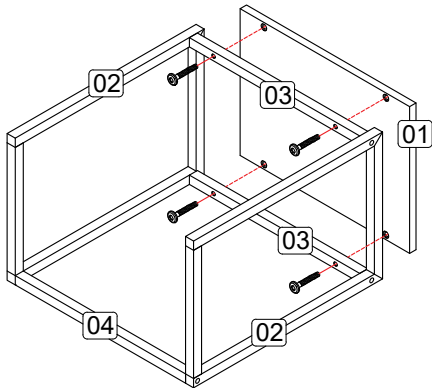
Parts List			Hardware List		
Part	Description	Qty	Part	Description	Qty
01	Big Top panel Big	1	A	Allen key M4	1
02	Big Metal Side (Left & Right)	2	B	JCBC screw M6 x 30mm	8
03	Big Metal Top	2	C	JCBC screw M6 x 40mm	12
04	Big Metal Bottom	1	** You will need a small mallet and a screwdriver for assembly. ** Some screws and wooden dowel may remain.		
05	Small Top panel	1			
06	Small Metal Side (Left & Right)	2			
07	Small Metal Top	2			
08	Small Metal Bottom	1			

Step 1: Attach the Big Metal Side (2) to Big Metal Top (3) and Big Metal Bottom (4) using hardware A and C (do not tighten all the screw first).
 Attach the Small Metal Side (6) to Small Metal Top (7) and Small Metal Bottom (8) using hardware A and C (do not tighten all the screw first).
DO NOT use any power tools as this may damage the frame and will invalidate any claim.



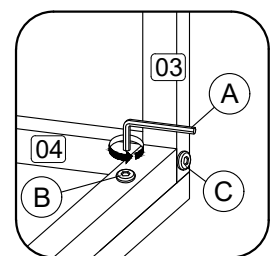
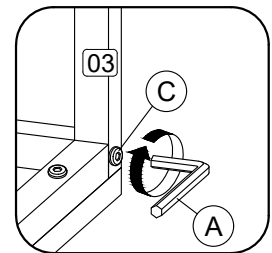
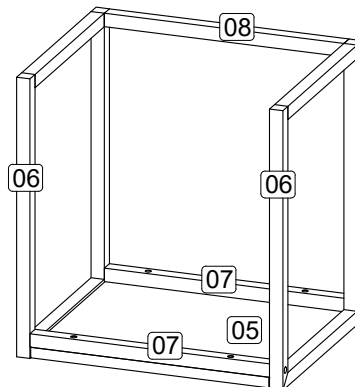
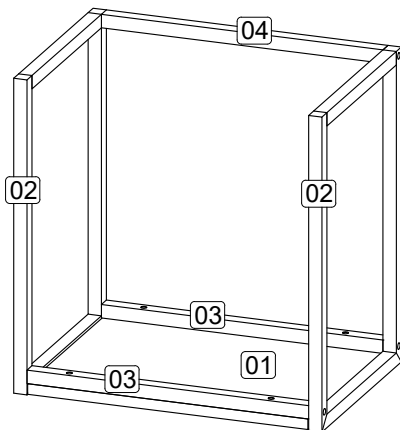
Step 2: Attach the Big Metal Top (3) to Big Top panel (1) using hardware A and B (do not tighten all the screw first). Attach the Small Metal Top (7) to Small Top panel (5) using hardware A and B (do not tighten all the screw first).

DO NOT use any power tools as this may damage the frame and will invalidate any claim.



Step 3: Turn this product up side down and tighten all the hardware B and C using hardware A.

DO NOT use any power tools as this may damage the frame and will invalidate any claim.



Additional Information:

- For complete product information, images and dimension diagrams please visit the website www.birlea.com
- If you have any issues with your item please contact the retailer directly you purchased it from who will be able to resolve any issues with Birlea.
- Why don't you send us photos of your assembled furniture to info@birlea.com to be shared in our #birleahome feature on instagram.



Birlea

Suppliers of inspiration