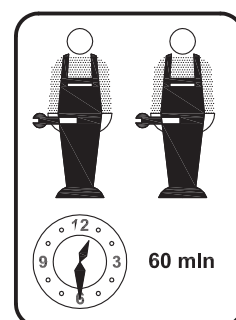
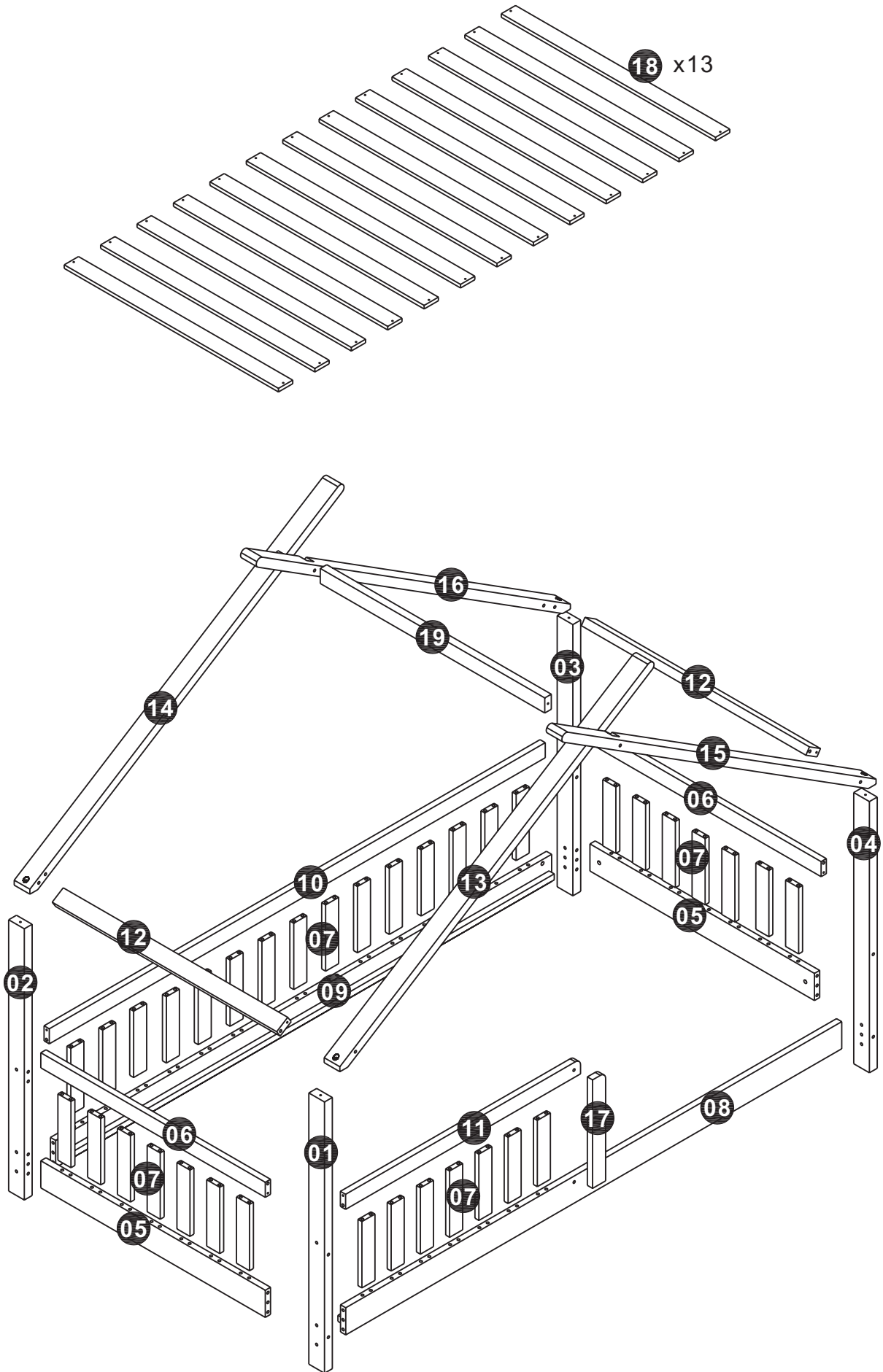


READ THE ASSEMBLY INSTRUCTIONS CAREFULLY. IDENTIFY THE ELEMENTS CONSTITUING YOUR PIECE OF FURNITURE. GROUP AND CHECK THE HARDWARE FITTINGS. GET THE TOOLS NEEDED. CLEAR SPACE TO WORK. PROCEED TO ASSEMBLE




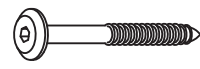

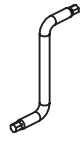
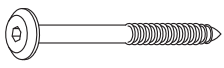
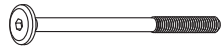
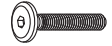
NEVER FORCE THE FITTINGS. TIGHTEN THE SCREW AFTER USING FOR SOMETIME. KEEP YOUR ASSEMBLY INSTRUCTIONS, IT COULD HELP FOR BETTER COMMUNICATION WITH YOUR STORE. IN THE EVENT OF QUERY.



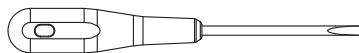
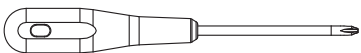
# EXPLODED VIEW



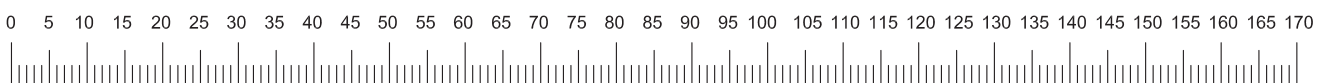
# HARDWARE

<p>A x8</p>  <p>M6x70mm</p>	<p>B x12</p>  <p>Ø6 x100mm</p>	<p>C x167</p>  <p>Ø8 x30mm</p>	<p>D x7</p>  <p>Ø6 x70mm</p>	<p>E x26</p>  <p>Ø4 x30mm</p>
<p>F x1</p> 	<p>G x10</p>  <p>Ø6 x100mm</p>	<p>H x4</p>  <p>M6 x100mm</p>	<p>I x2</p>  <p>M6x30mm</p>	

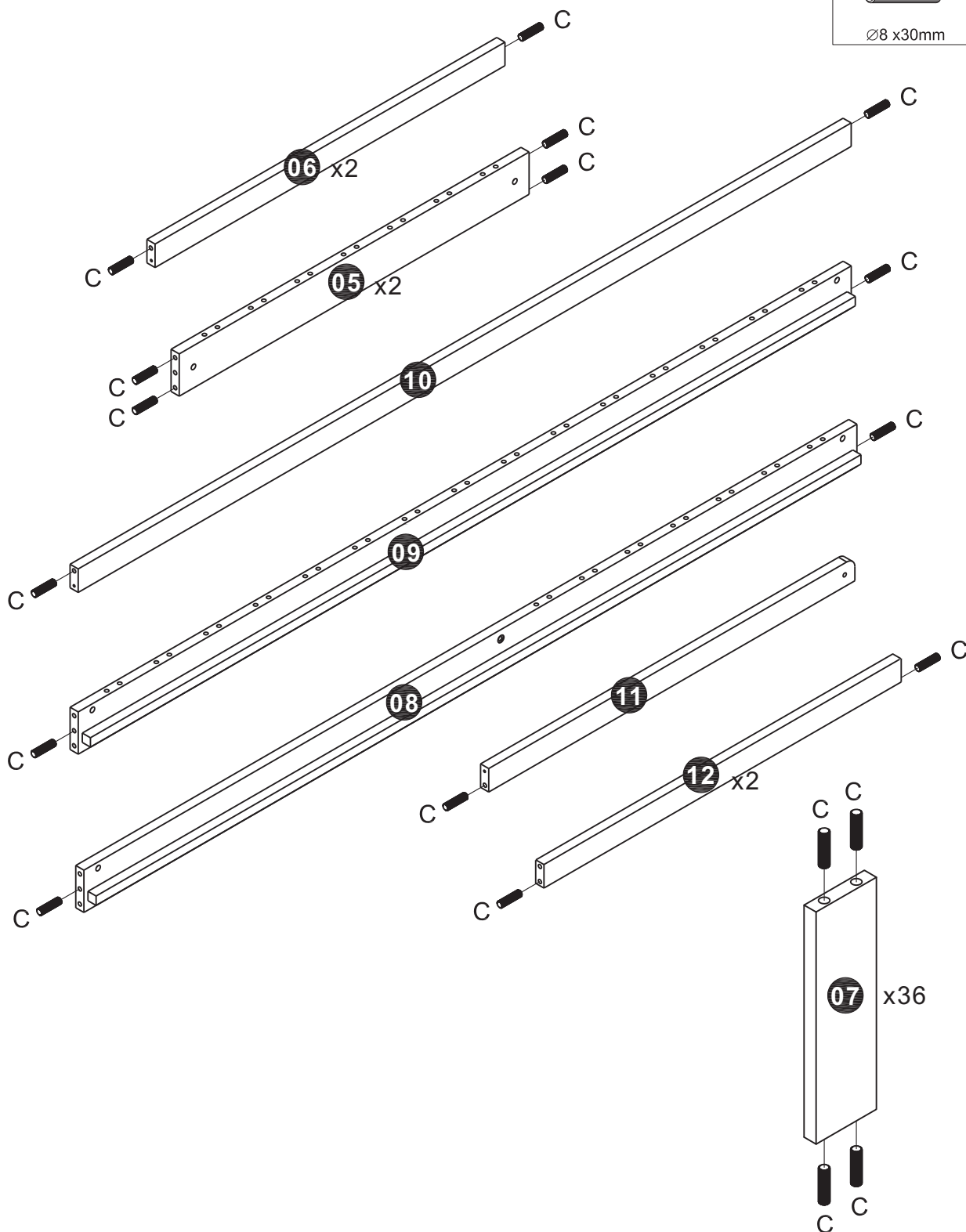
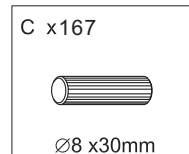
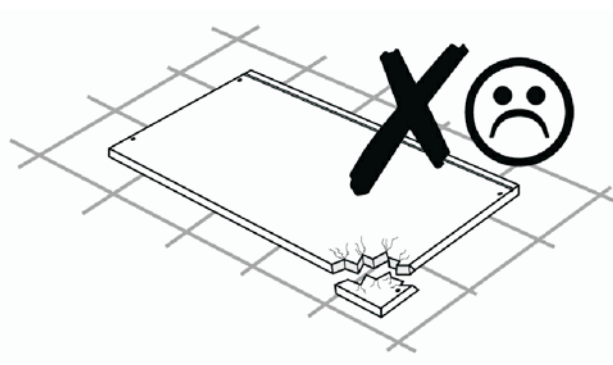
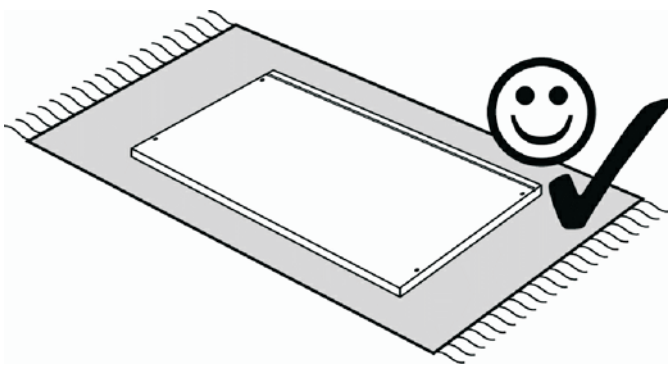
# TOOLS



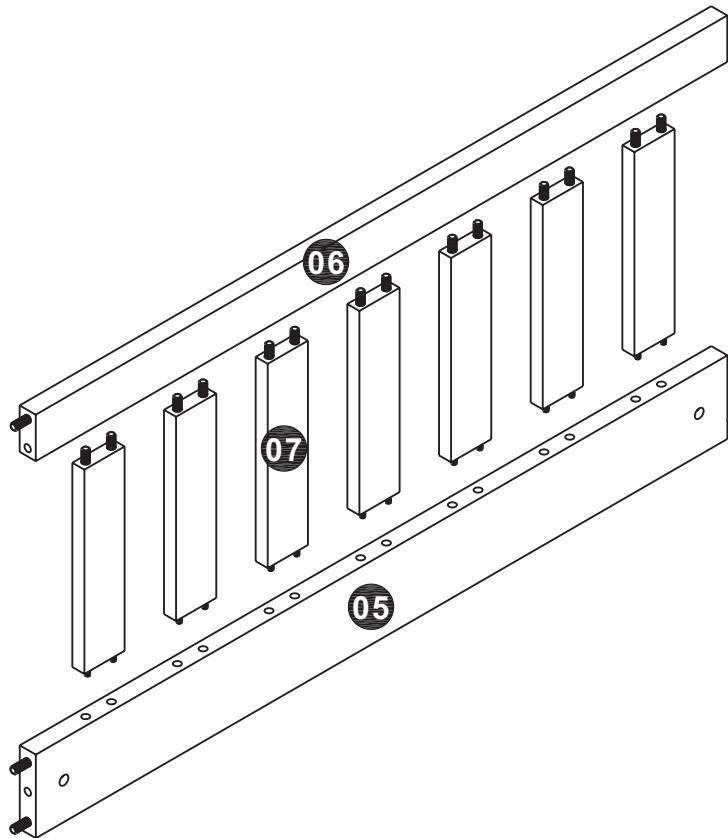
**Ruler** - Use this ruler to help correctly identify the screws



01


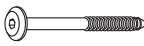
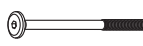



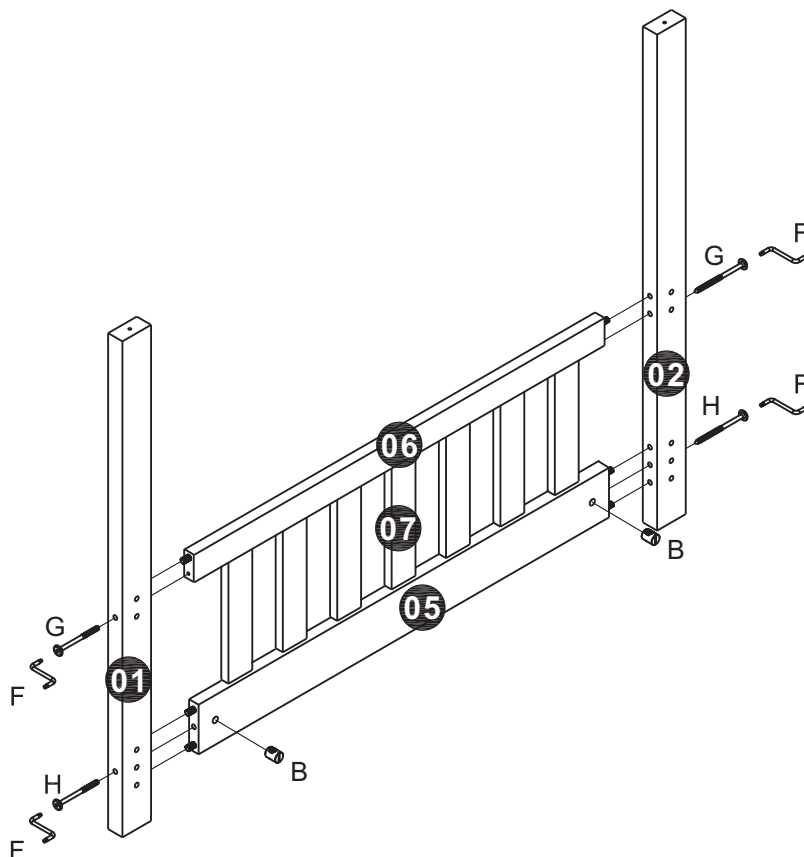
02




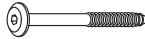
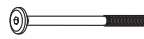

2 x

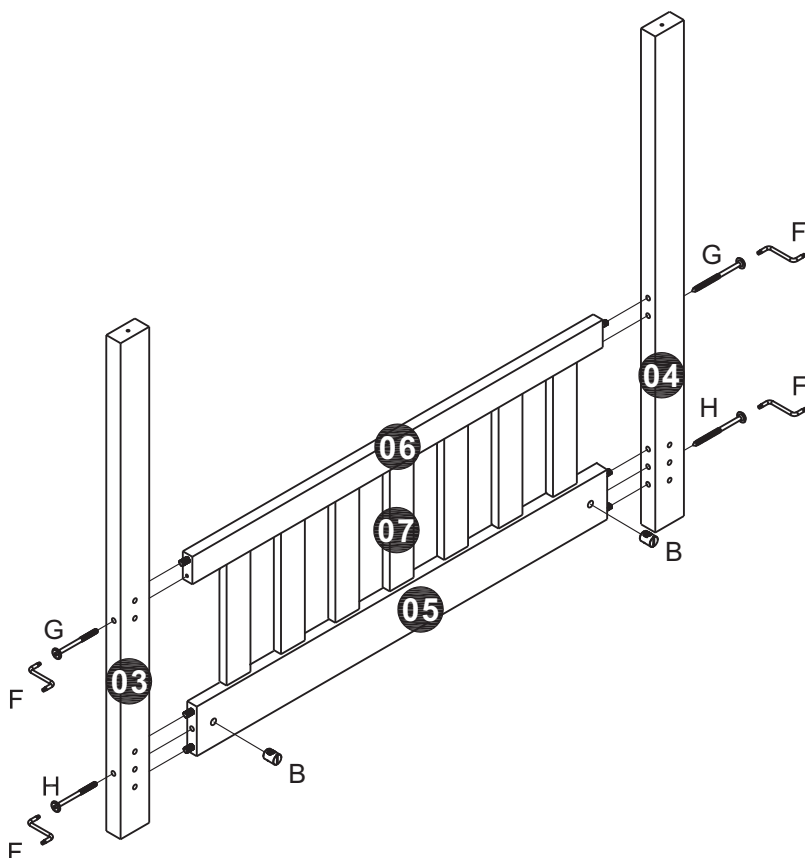
03

B x 2 	G x 2  Ø6 x100mm	H x 2  M6 x100mm	F x 1 
--	--	---	--

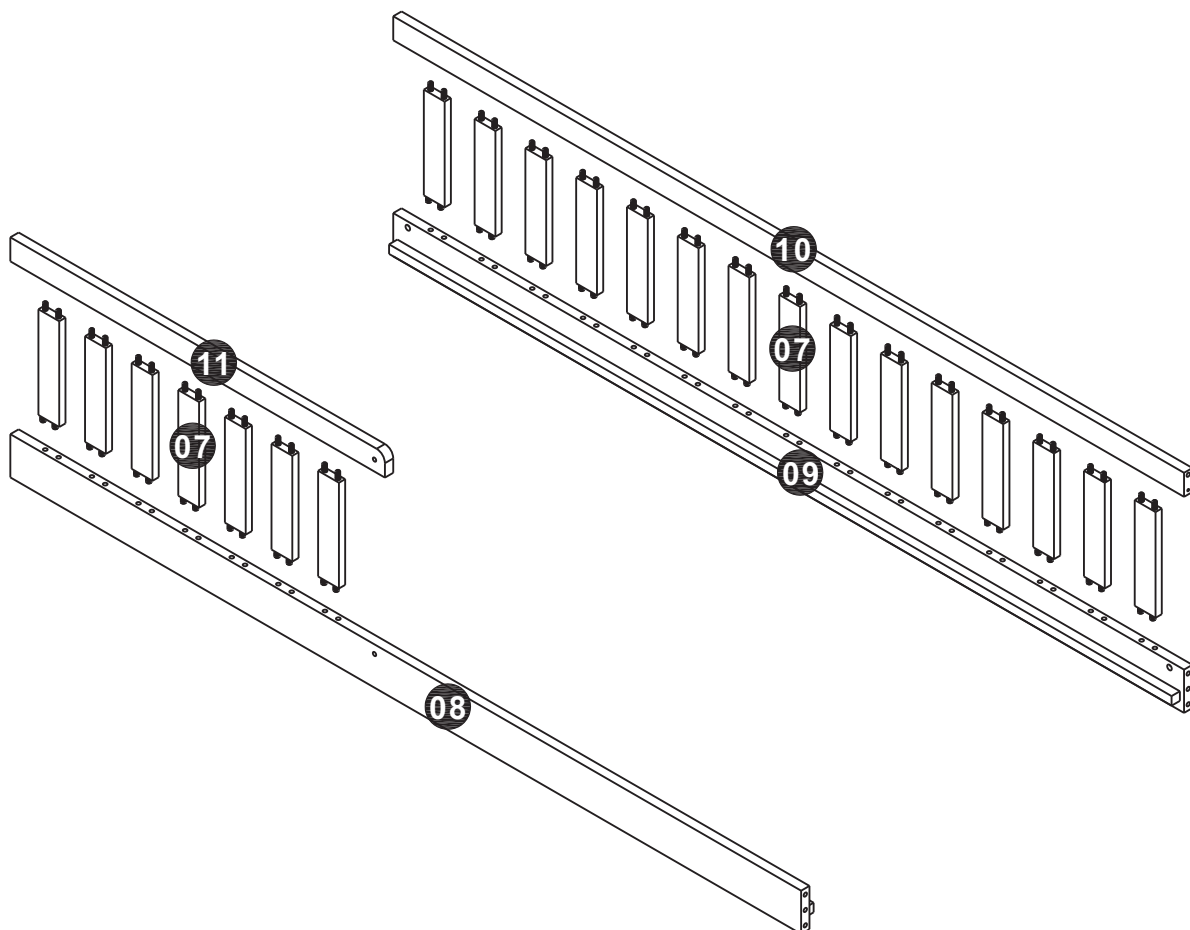


04



B x 2 	G x 2  Ø6 x100mm	H x 2  M6 x100mm	F x 1 
--	--	---	--

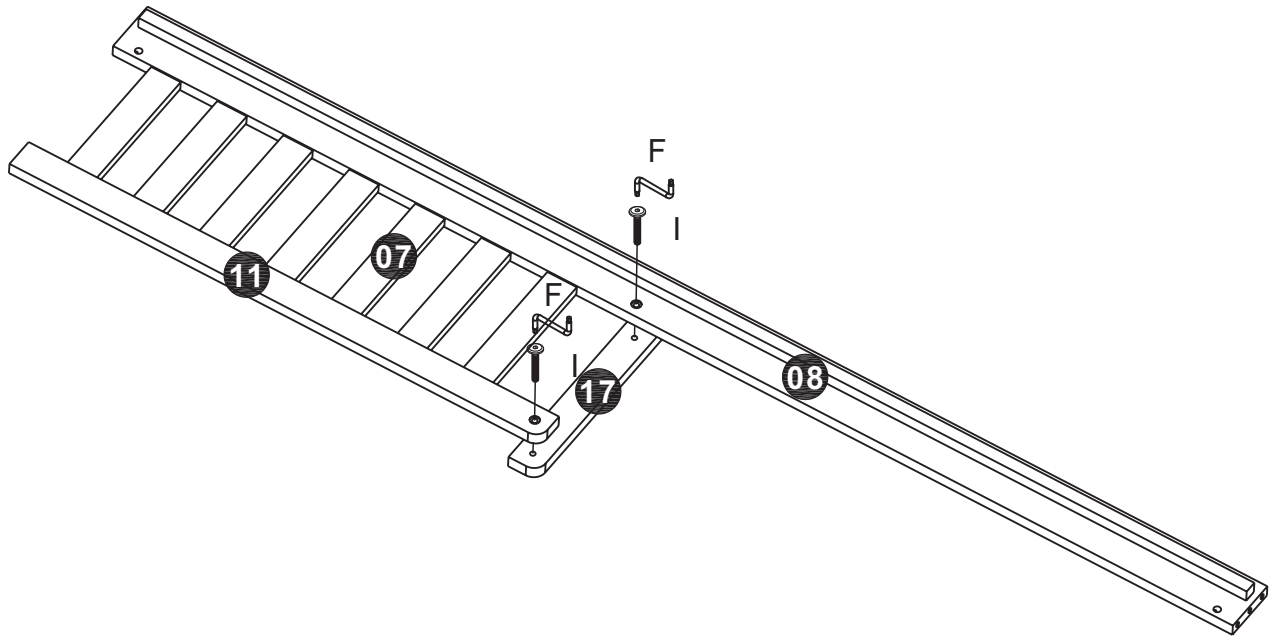


05

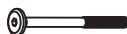





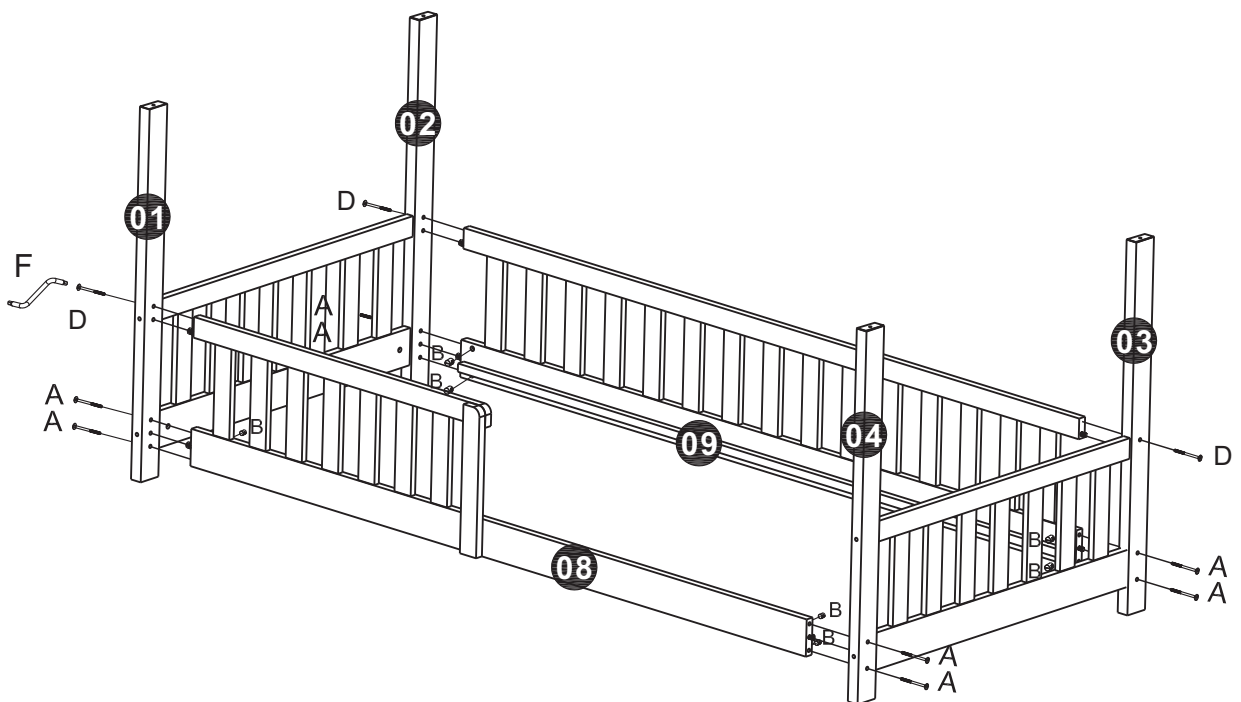
06

I x2	F x1
	
M6x30mm	



07

A x8	B x8	F x1	D x3
			
M6x70mm			Ø6 x70mm

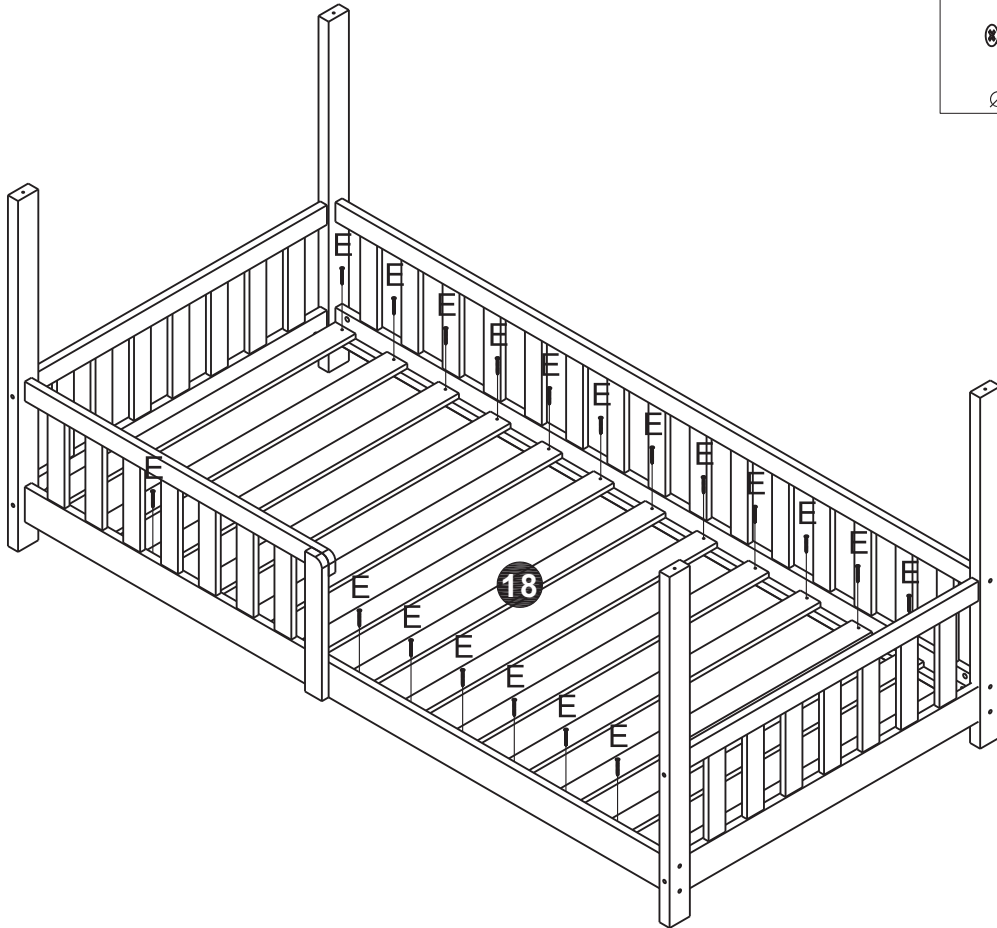


08

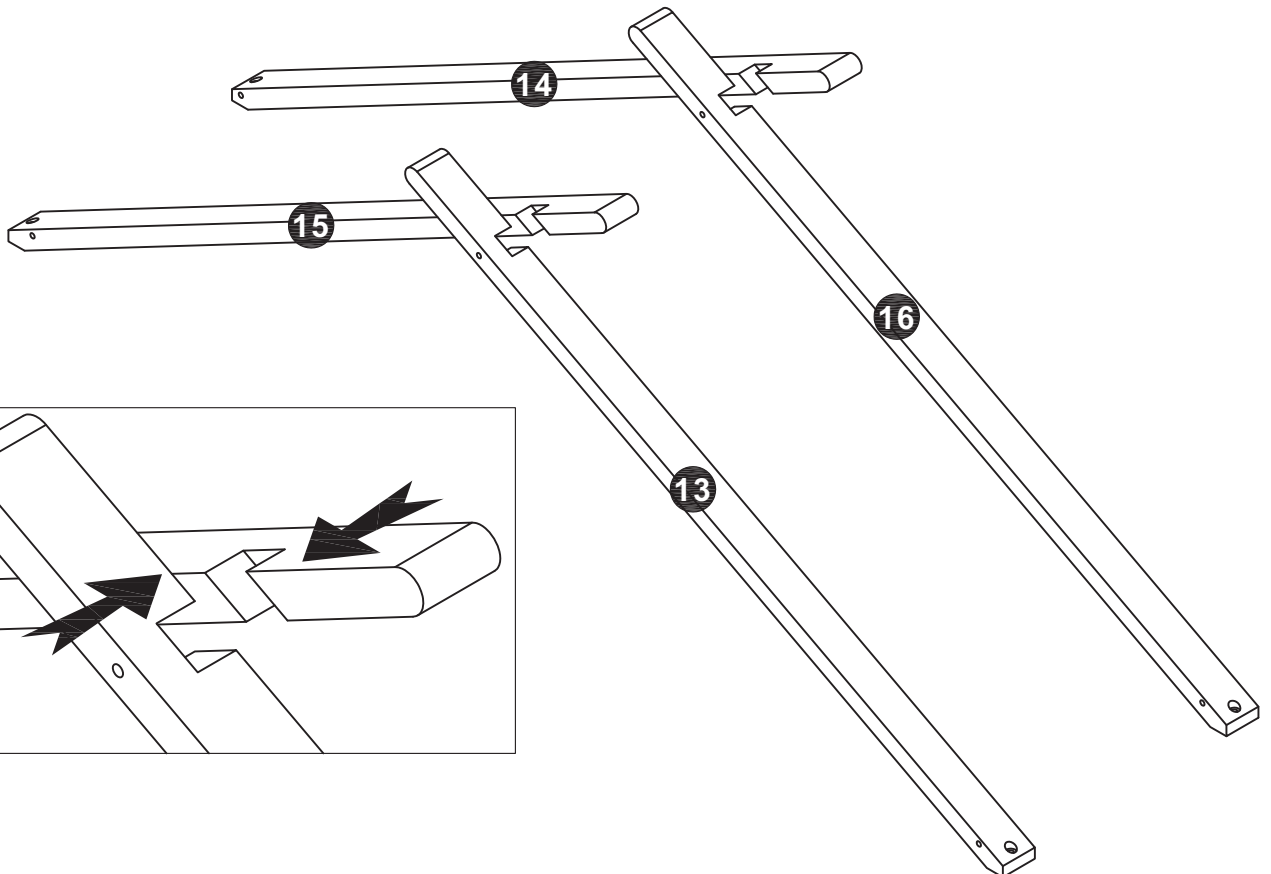
E x 26



Ø4 x30mm

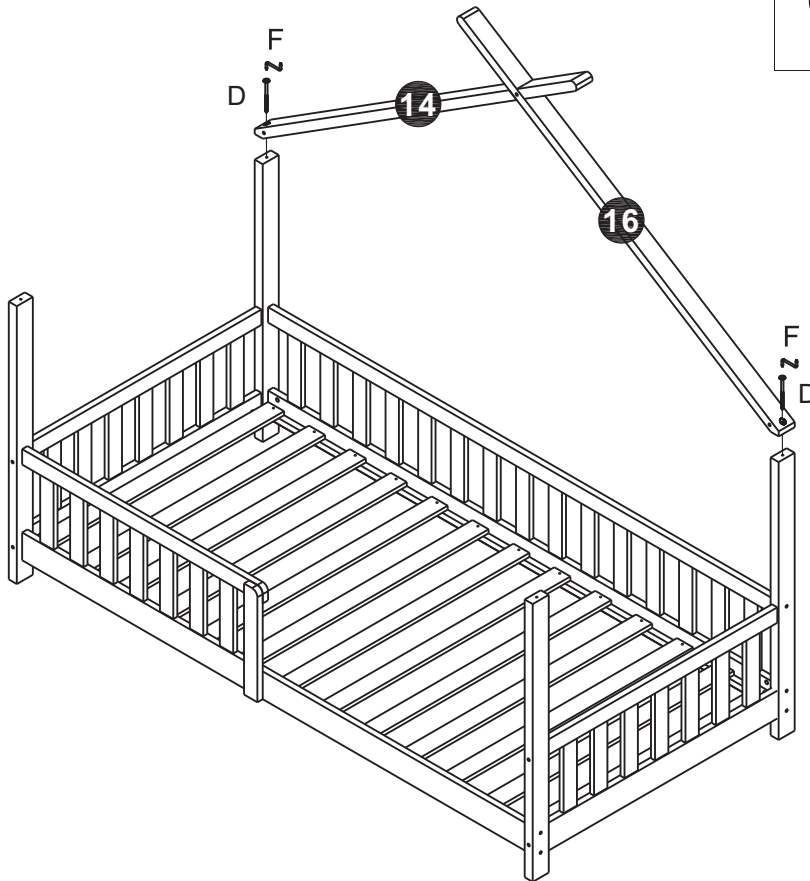
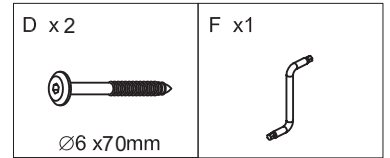


09

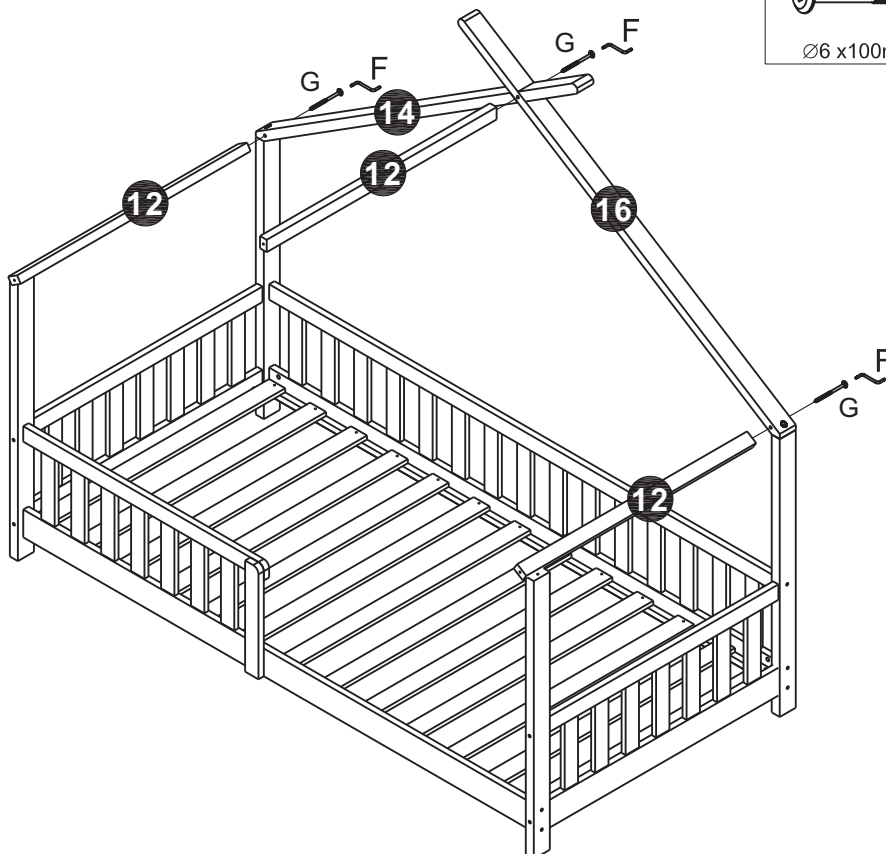
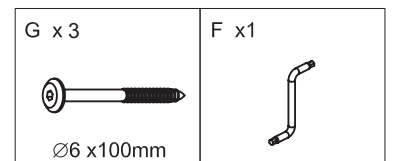




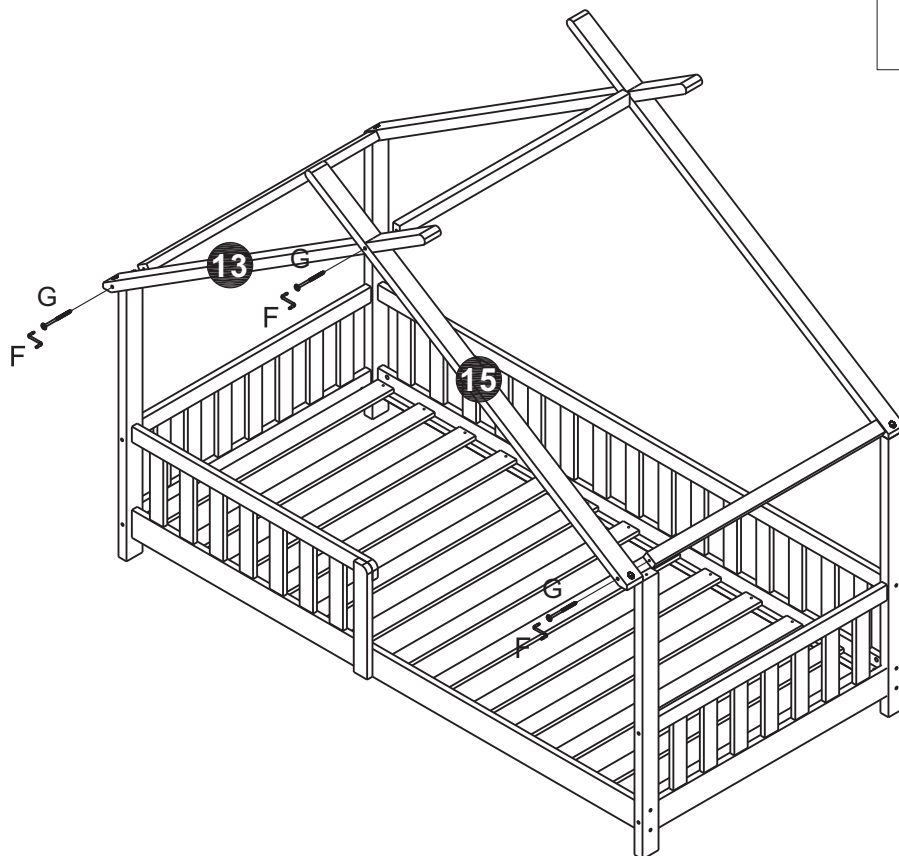
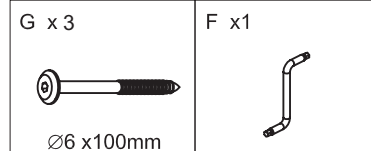
10



11



12



13

