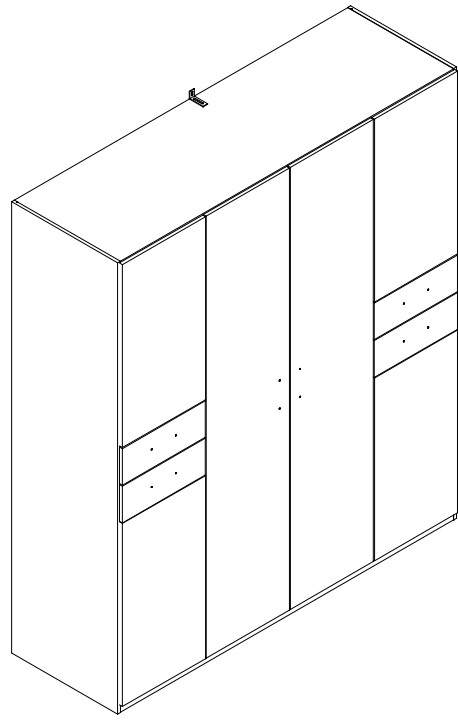
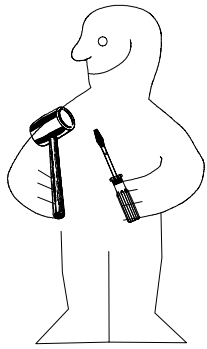
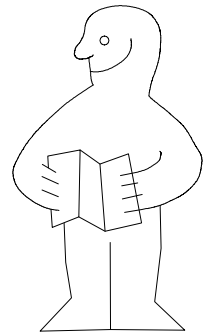
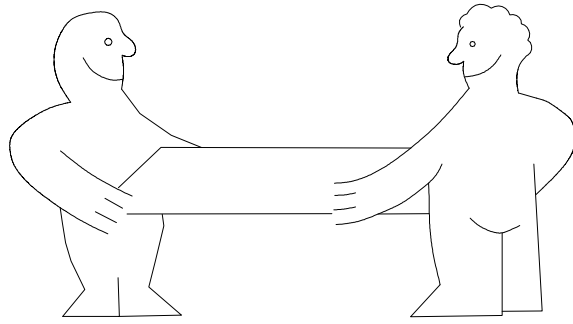
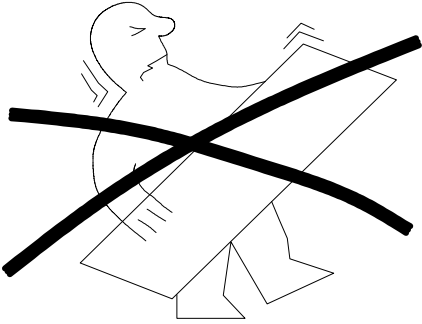


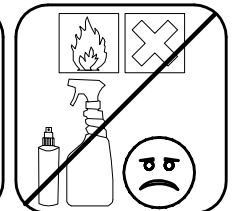
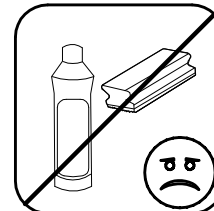
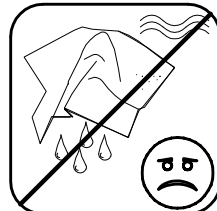
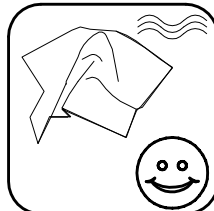
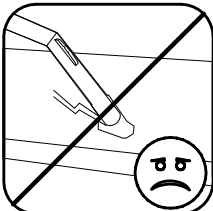
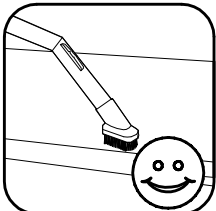
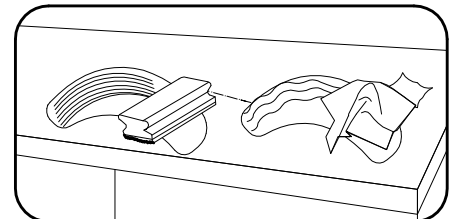
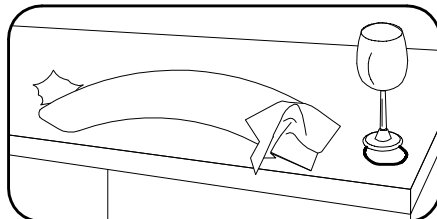
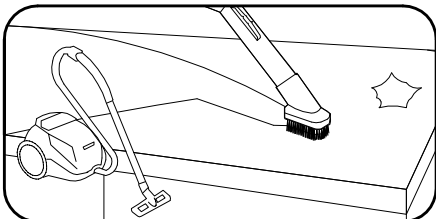
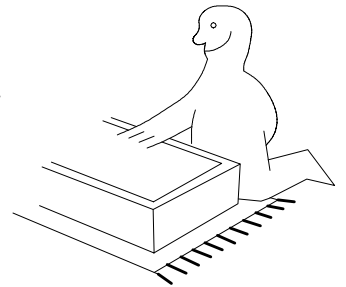
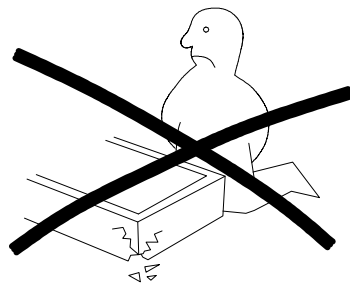
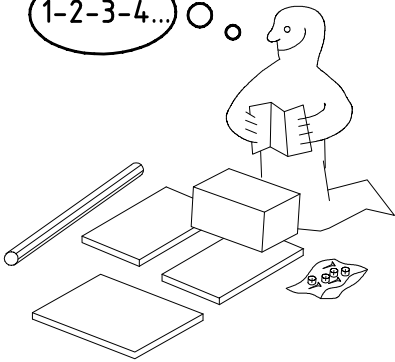
980591



TYPE 654



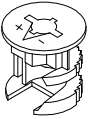
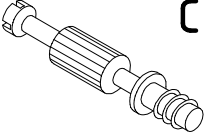
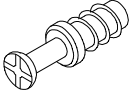
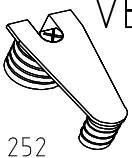
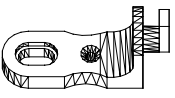
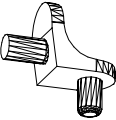
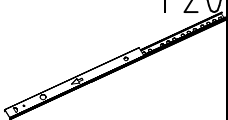
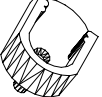
1-2-3-4... ○ ○


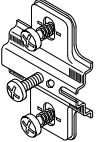
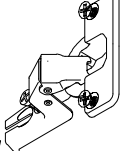
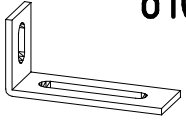

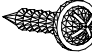
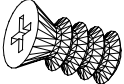
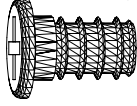


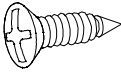
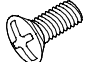
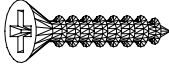
980591

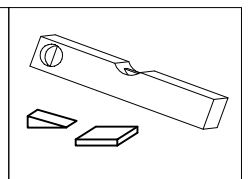
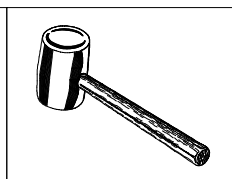
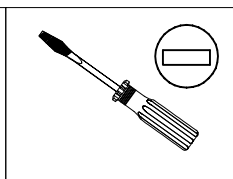
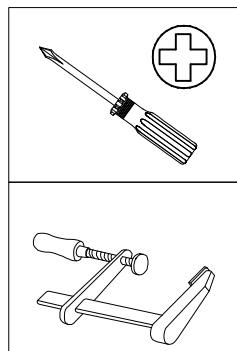
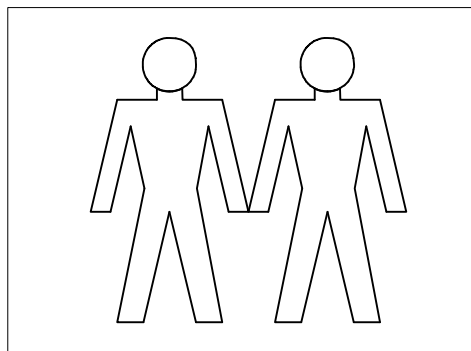
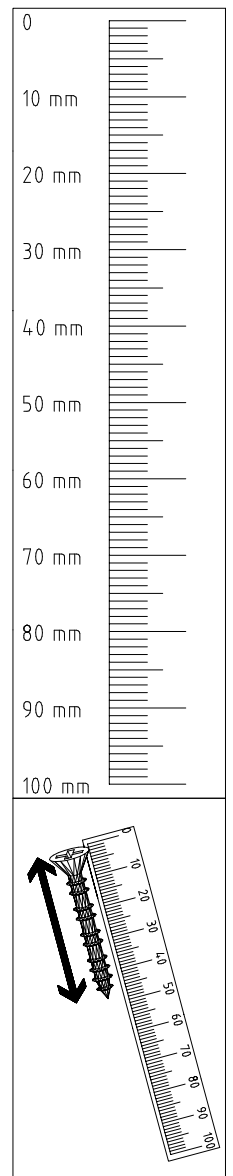
16.11.20 / -

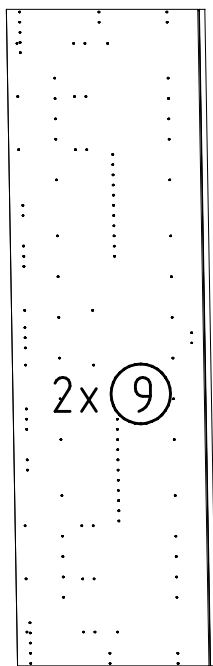
11 20 | 01/17

 111 102	A	16x
 111 103	C	16x
 111 229	F	8x
 111 252	VB23	8x
 111 174	J1	6x
 111 610	L7	20x
 112 198	Y20	8x
 117 001	K1	2x

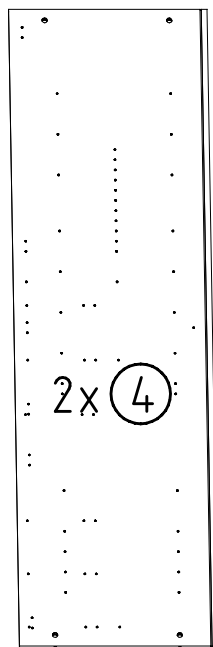
 112 402	K20	1x
 112 268	M	17x
 112 267	N	17x
 111 052	o10	1x
 163 007	Z	2x
 121 120	SP15 4 X 15mm	1x
 112 616	T3 M6 x 10	16x
 121 181	T6 M6 x 11 mm	6x

 121 370	G1 3,5 x 15 mm	8x
 111 015	G8 M4 x 9 mm	8x
 121 375	G14 3,5 x 35 mm	8x

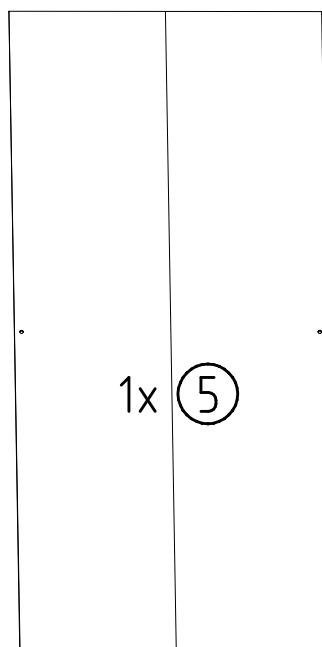




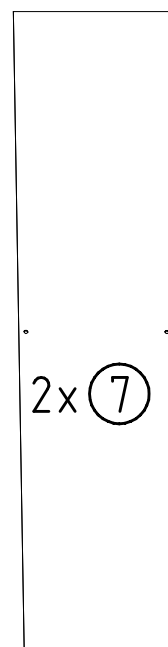
2064x560x15



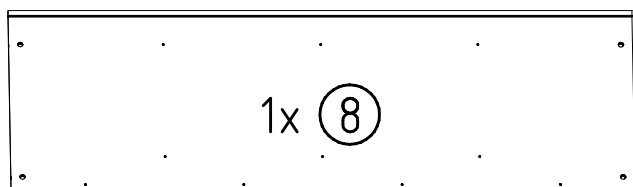
2001x560x15



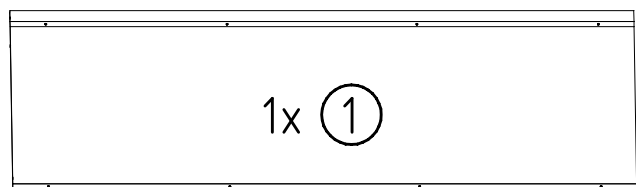
2015x882x2,5



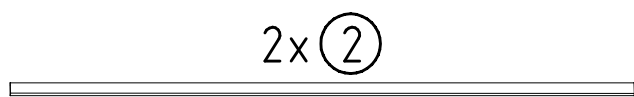
2015x438x2,5



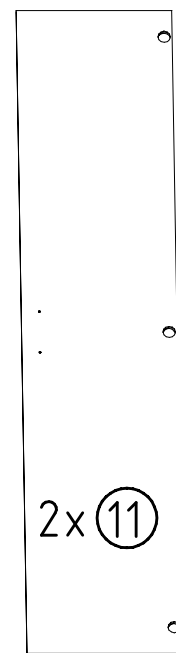
1761x560x15



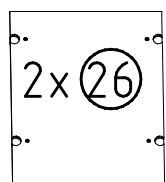
1761x560x15



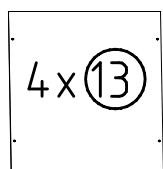
2205x33x15



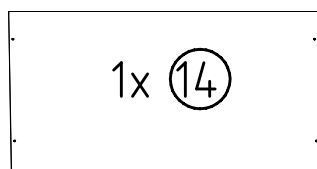
2021x439x15



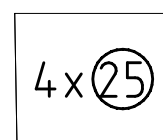
429x540x18



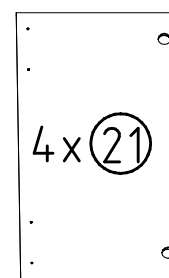
429x500x18



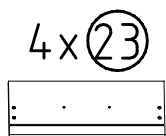
873x500x18



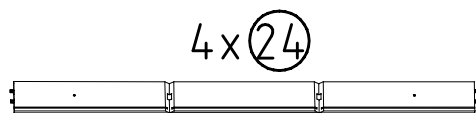
439x408x2,5



837x439x15



439x168x15



439x422x439x92

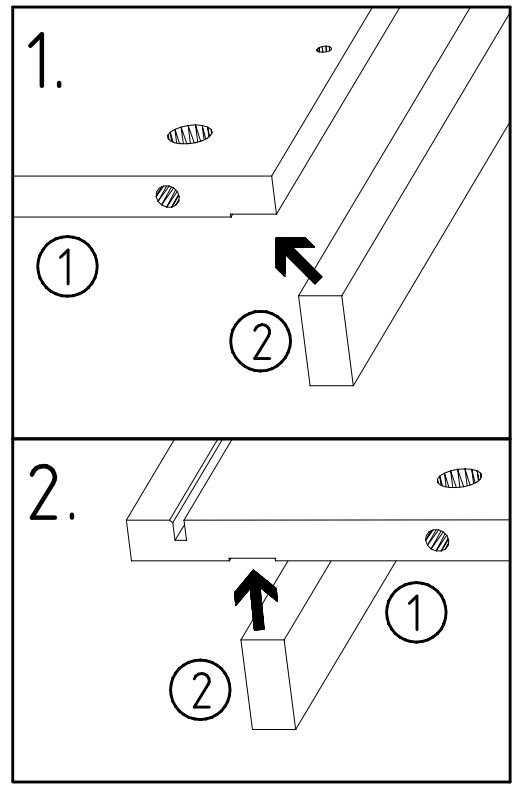
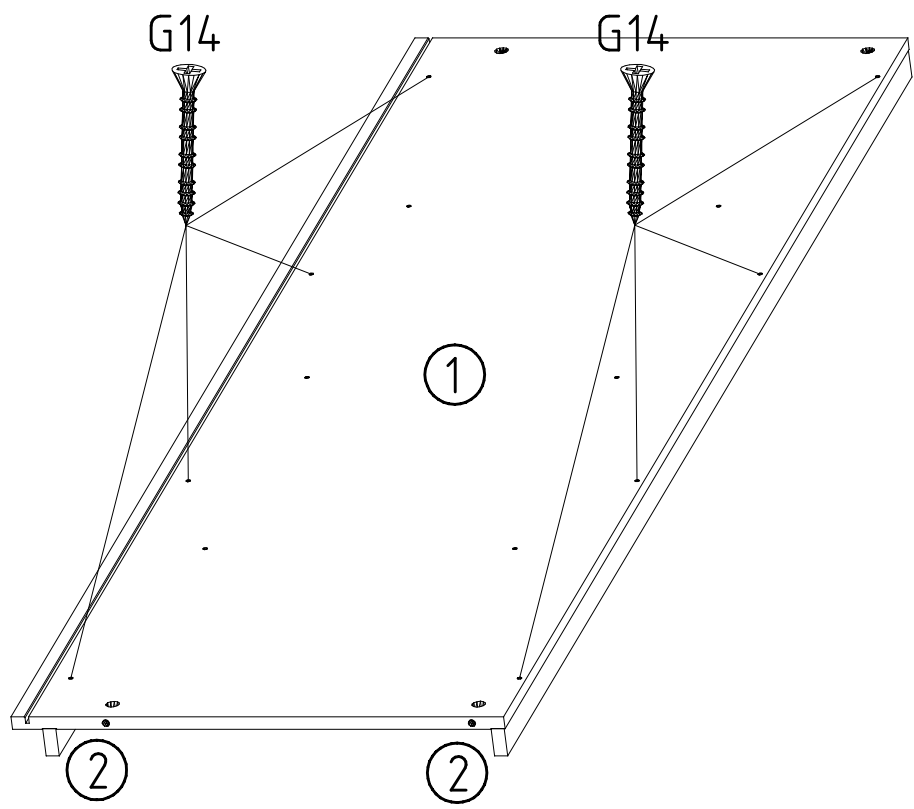
1

3,5 x 35 mm

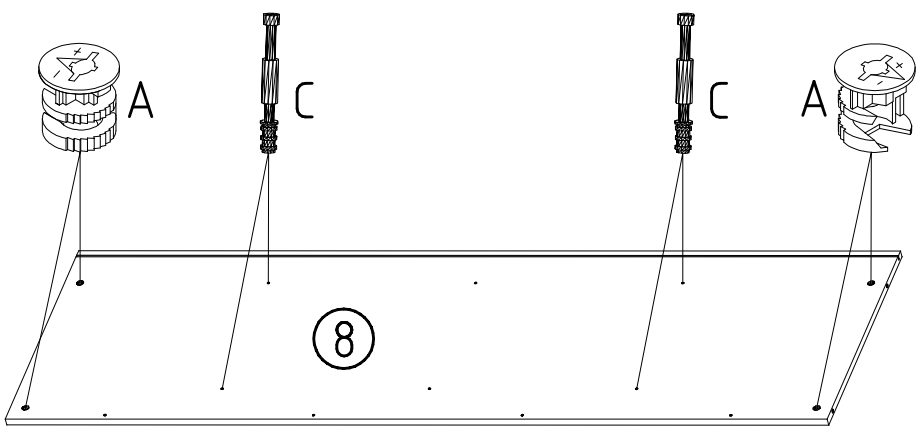
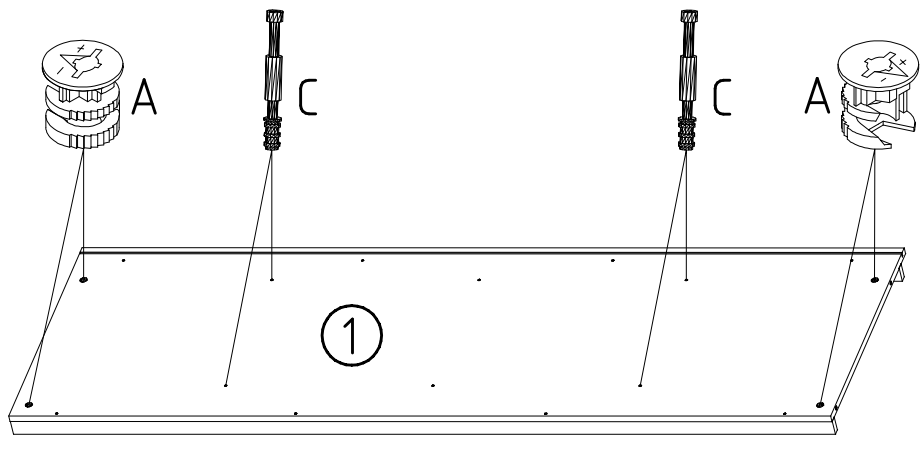
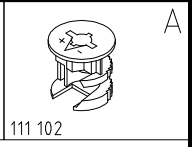
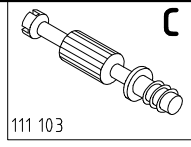
G14



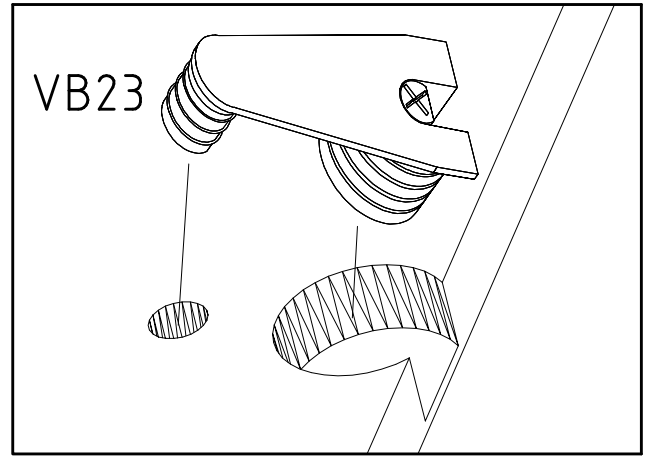
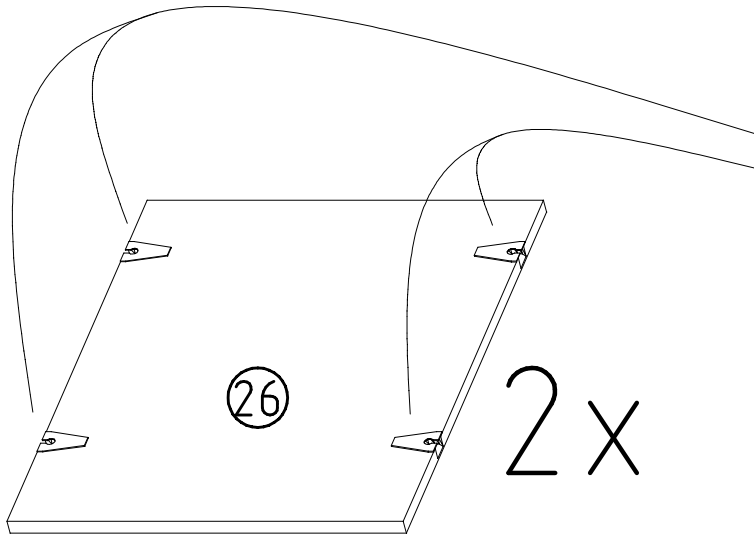
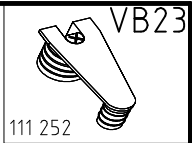
121 375



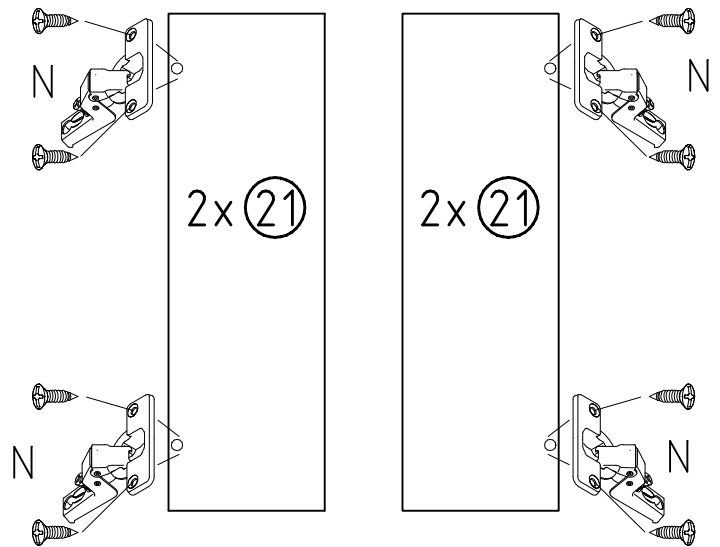
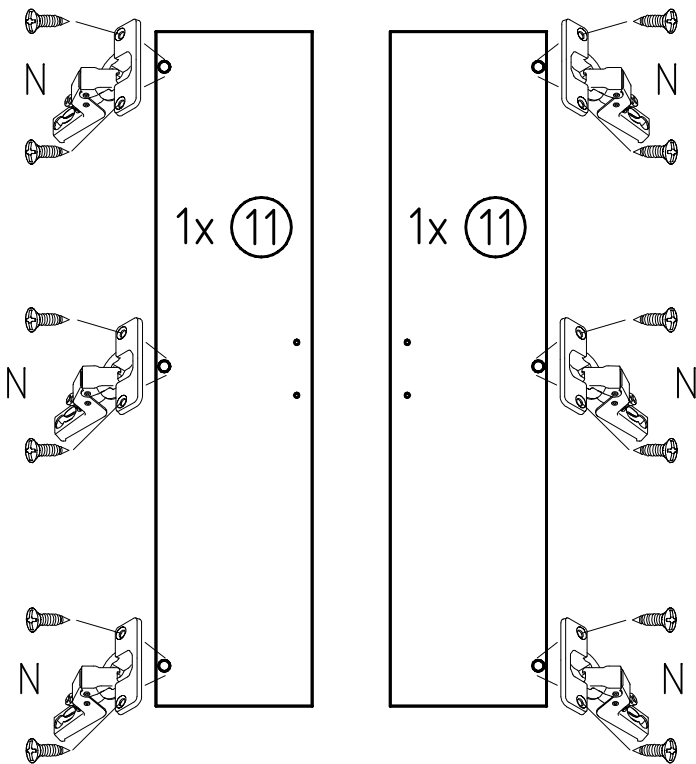
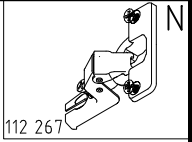
2

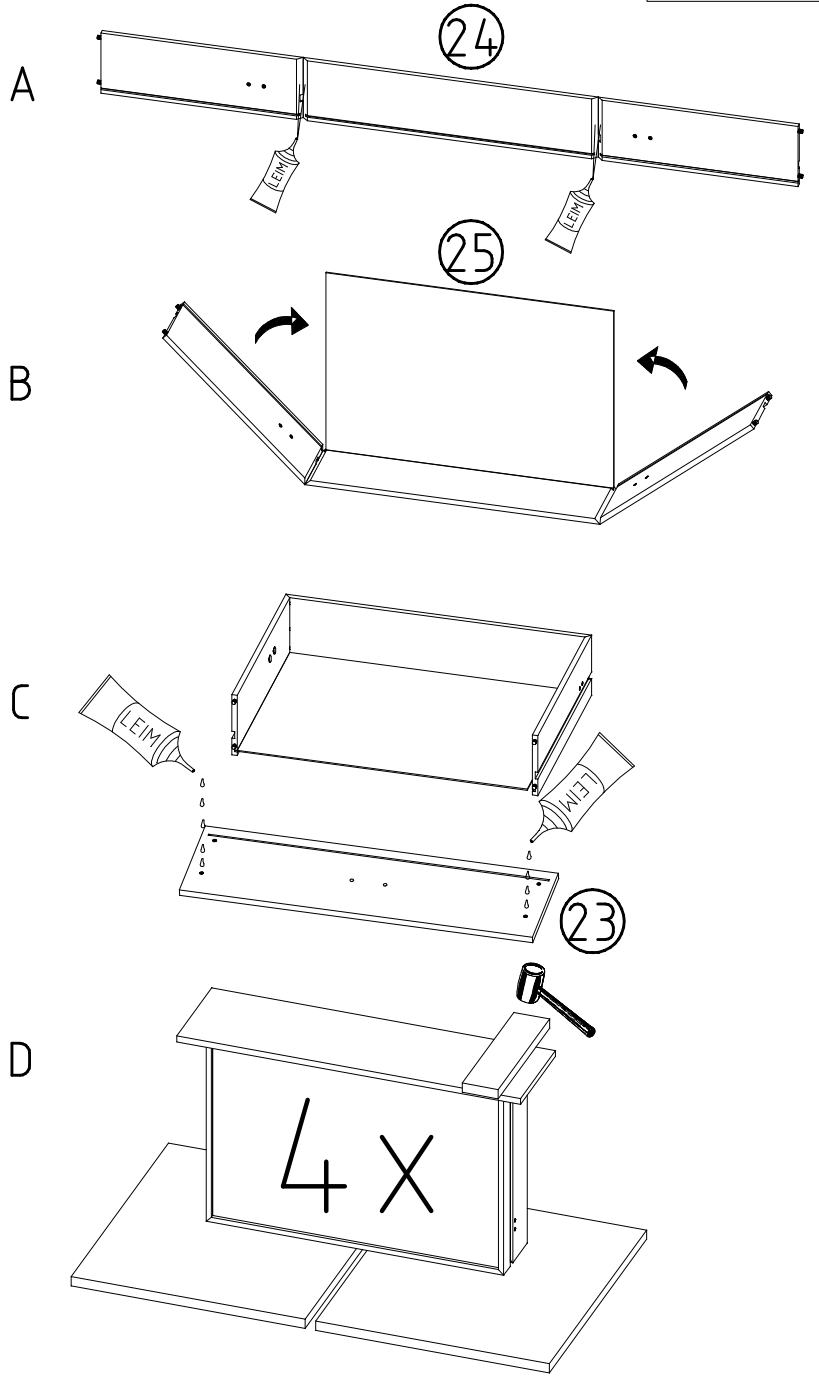
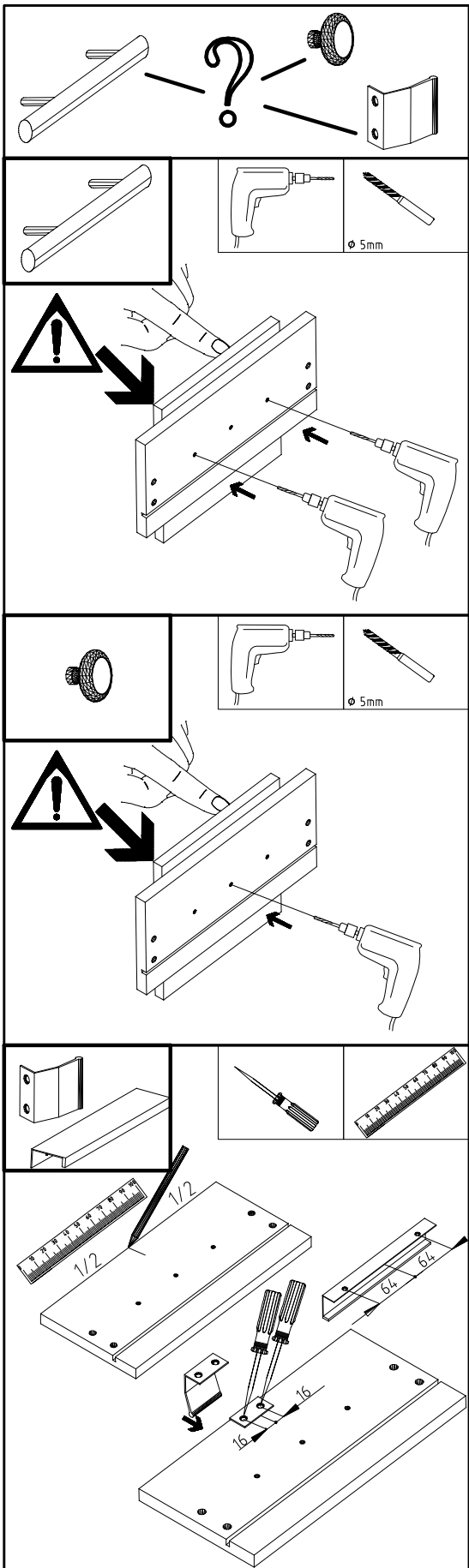


3



4





6

M6 x 10

T3

Y20

F

C

M

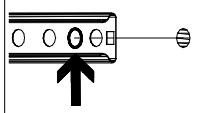
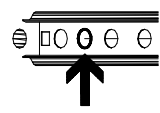
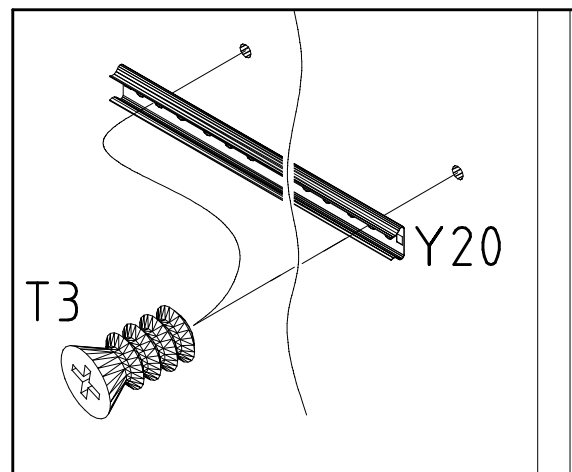
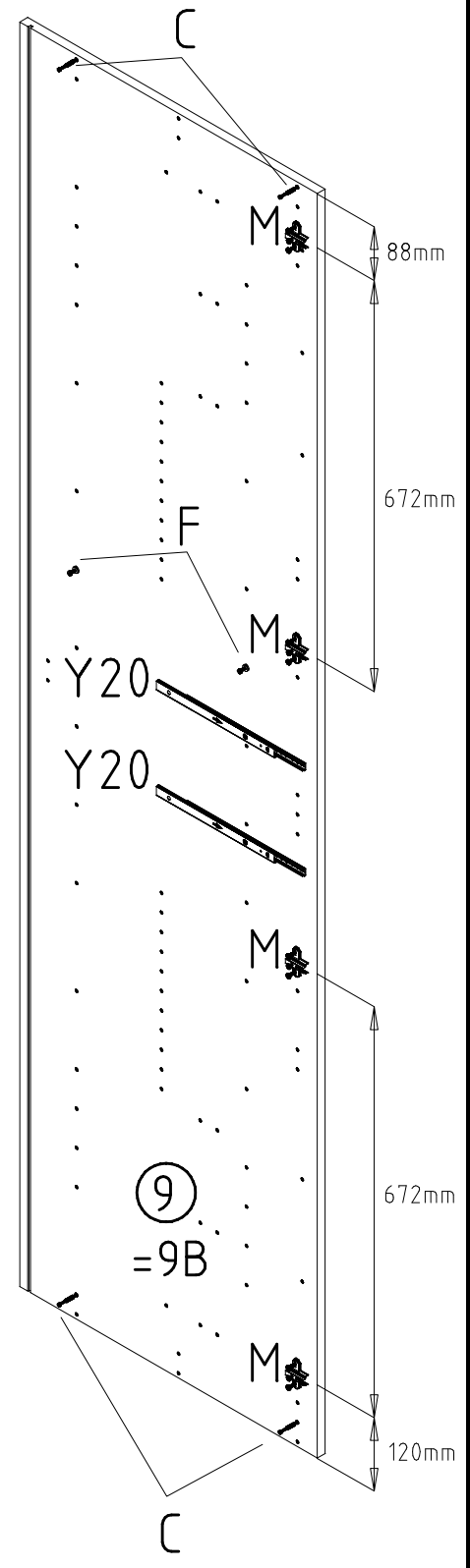
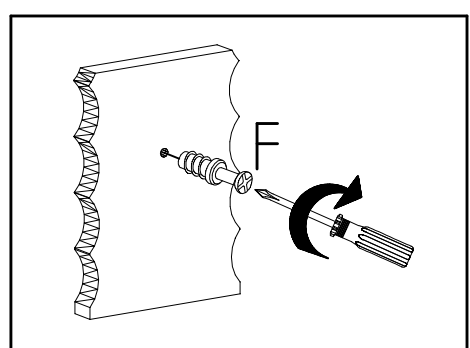
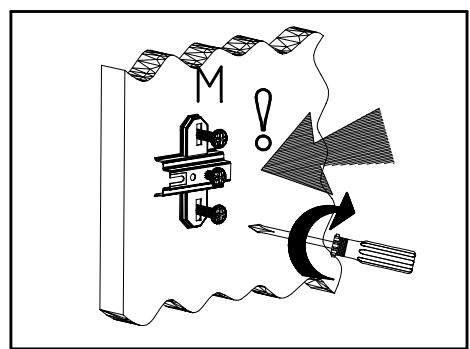
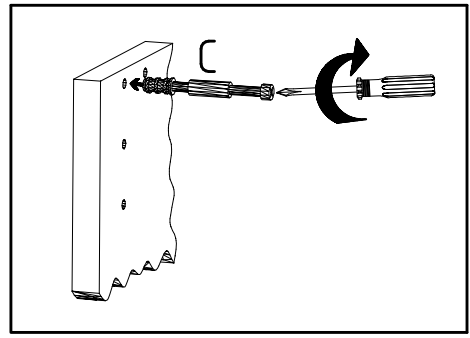
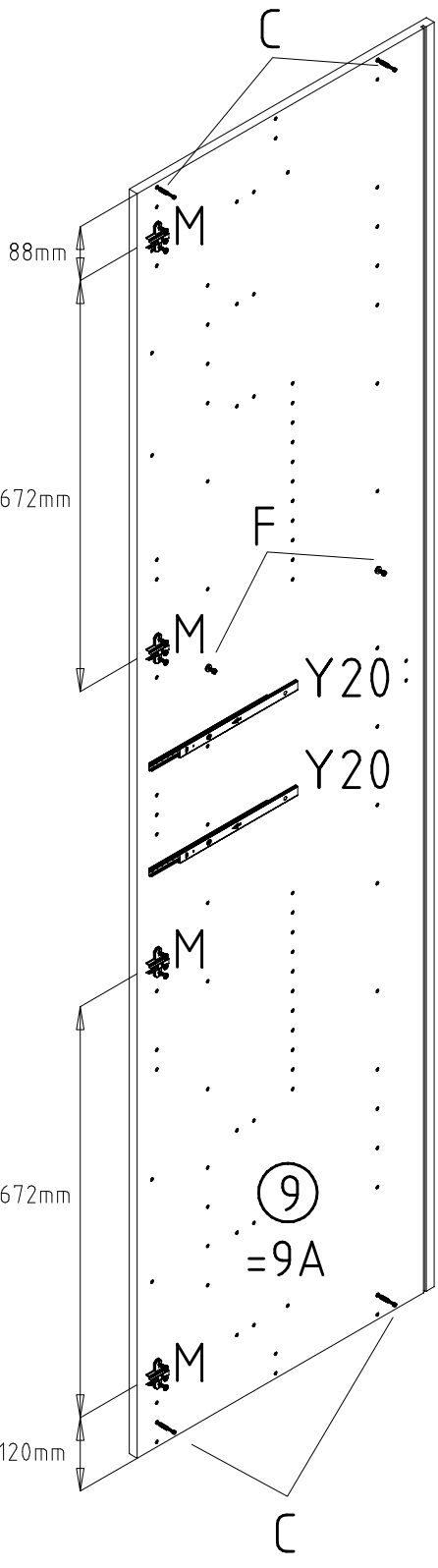
112 616

112 198

111 229

111 103

112 268



980591

16.11.20 / -

11 20

07/17

M6 x 10

T3

Y20

F

A

M

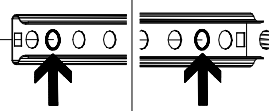
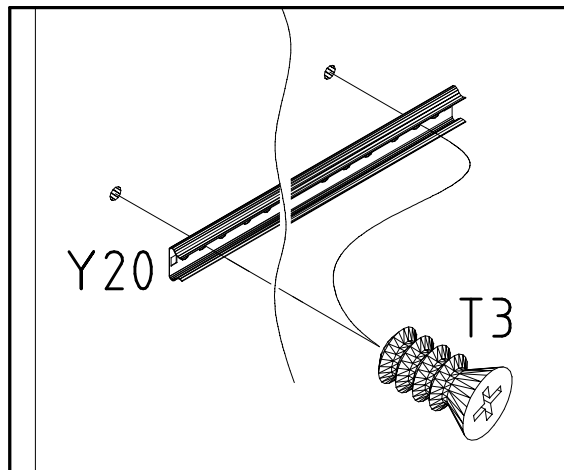
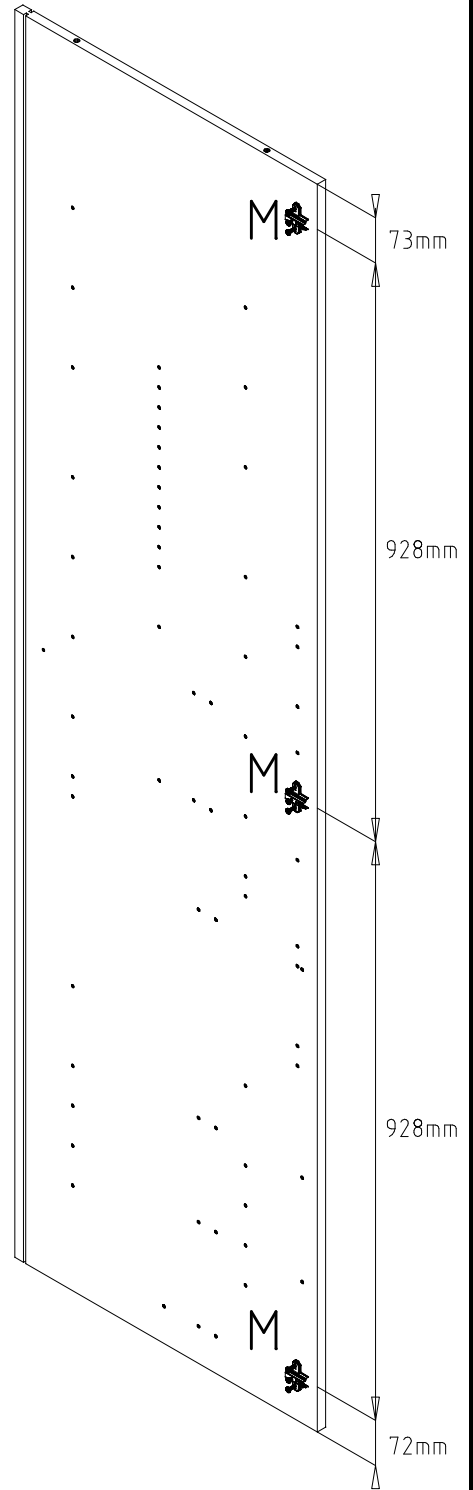
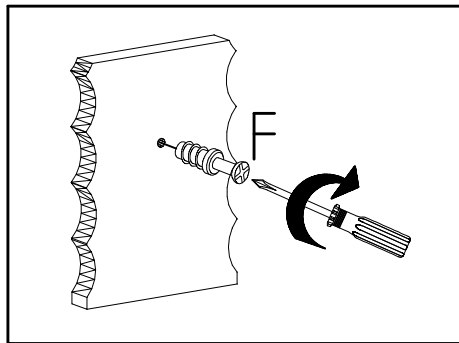
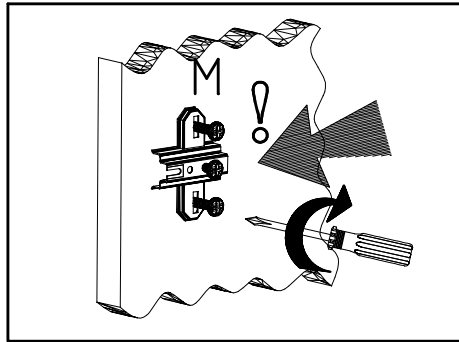
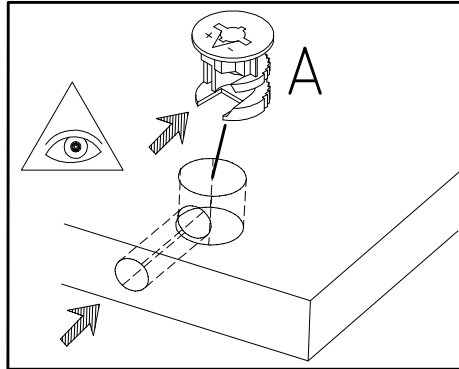
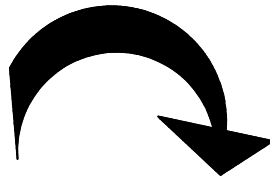
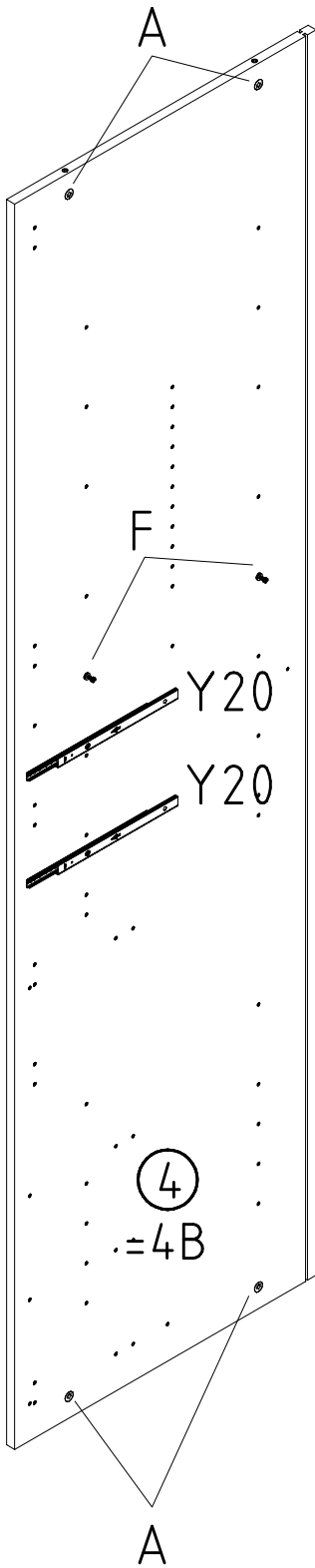
112 616

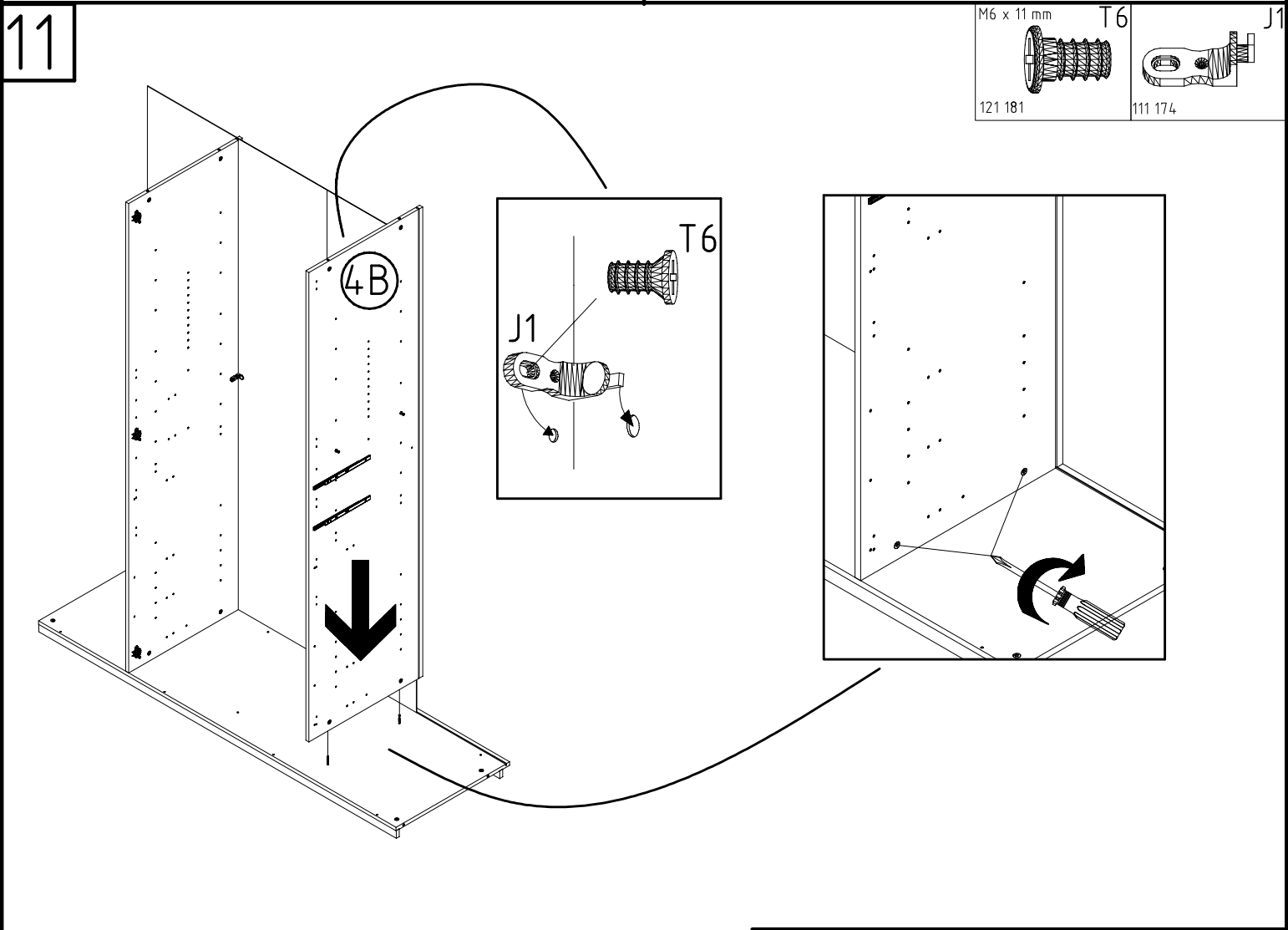
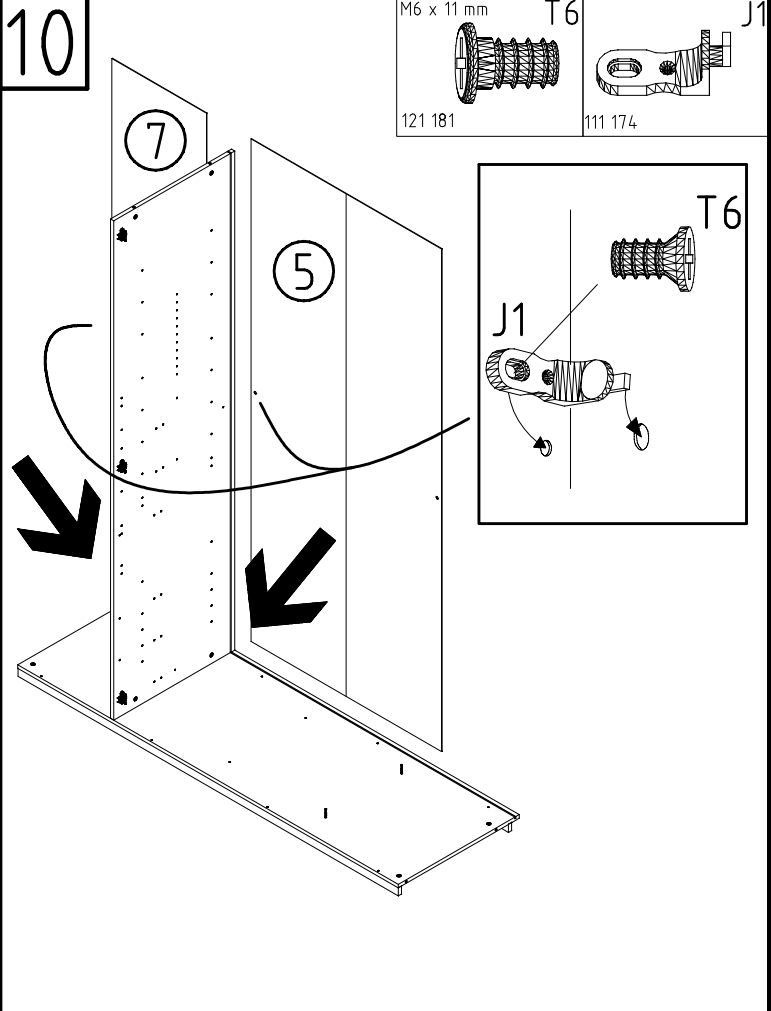
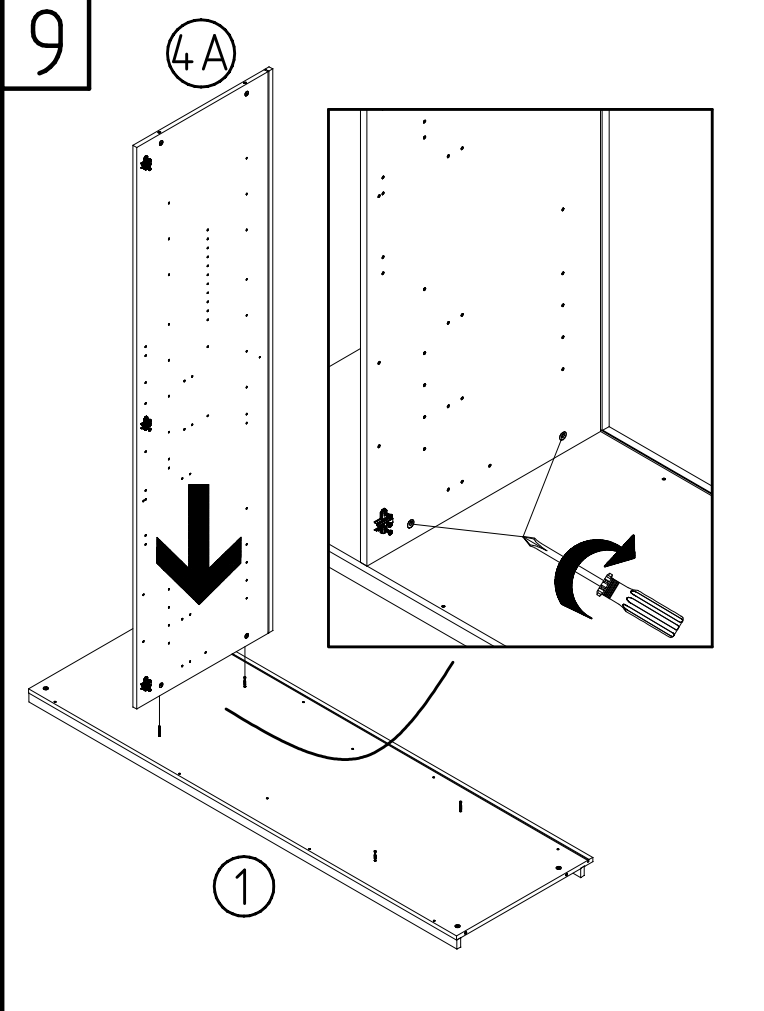
112 198

111 229

111 102

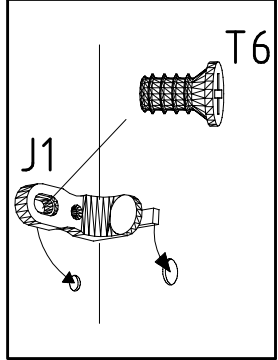
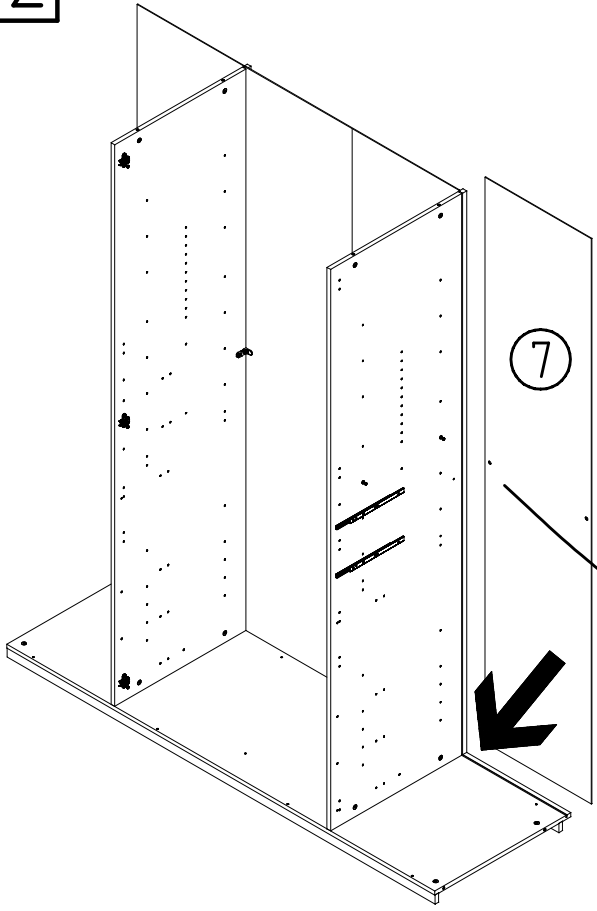
112 268



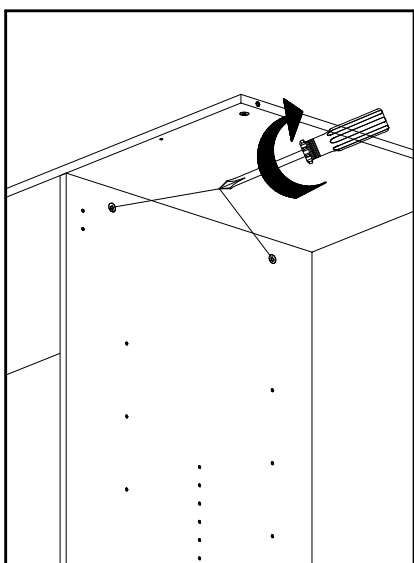
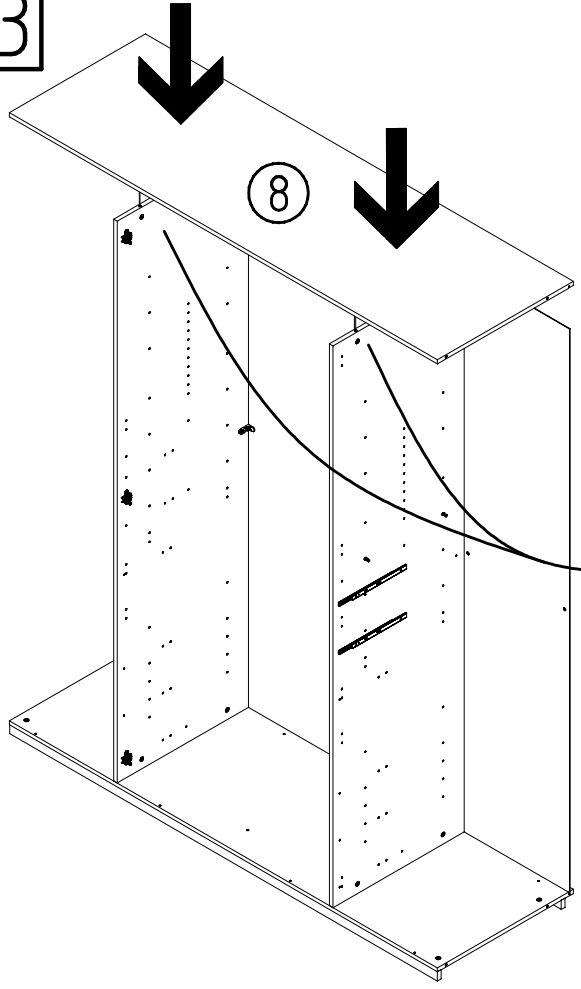


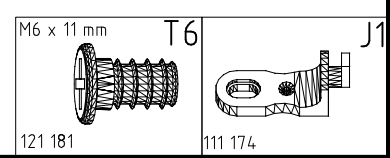
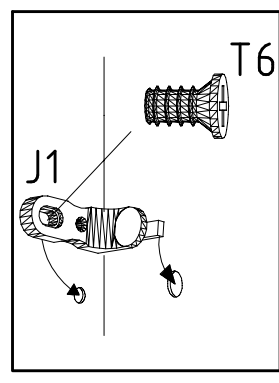
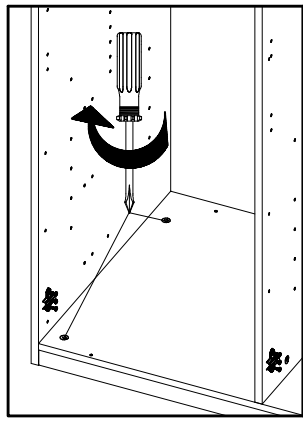
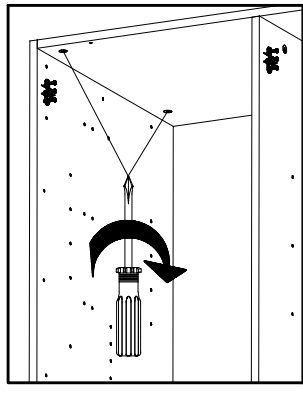
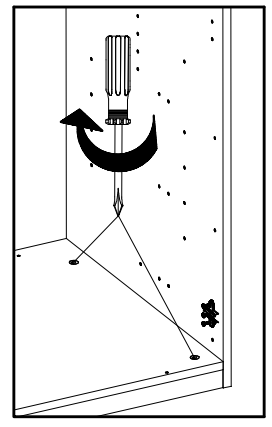
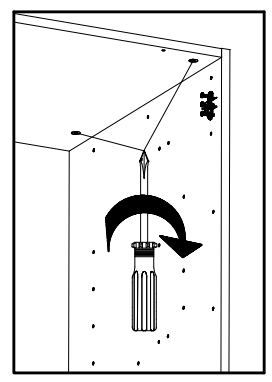
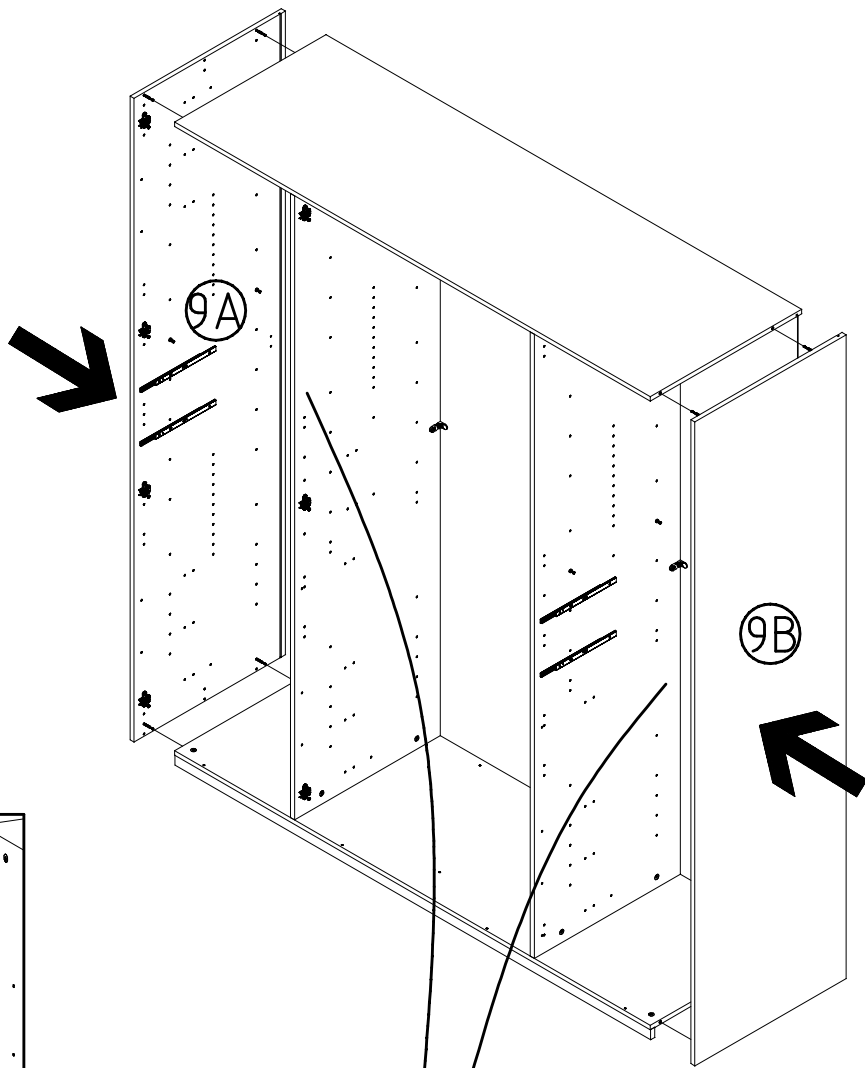
12

M6 x 11 mm T6
 121 181
 J1
 111 174

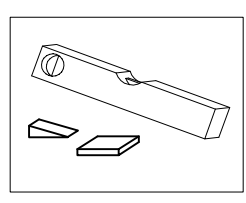
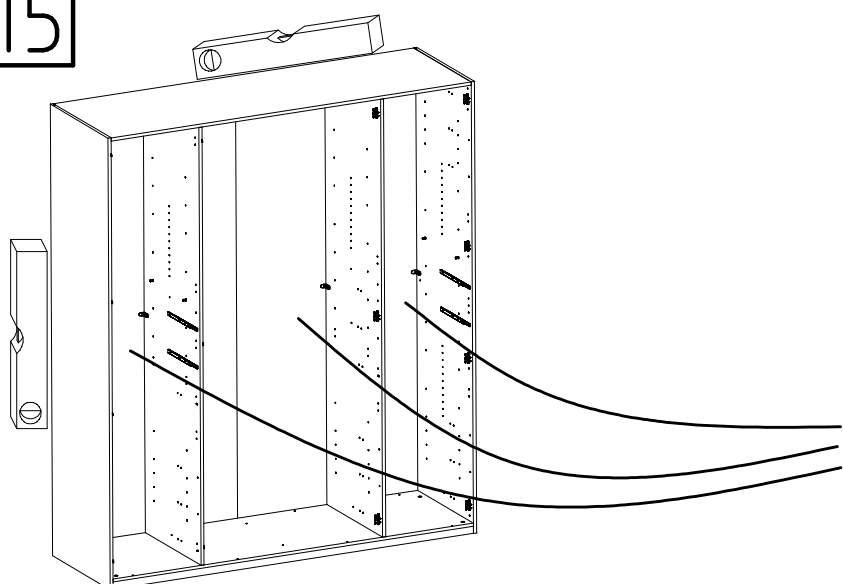


13

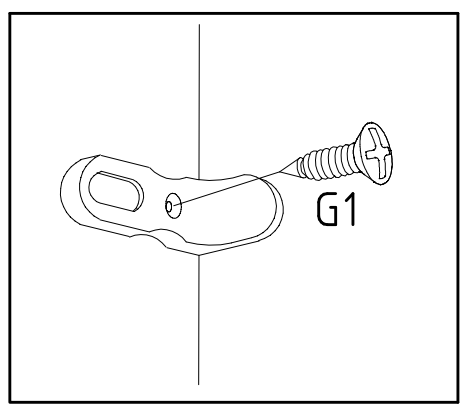




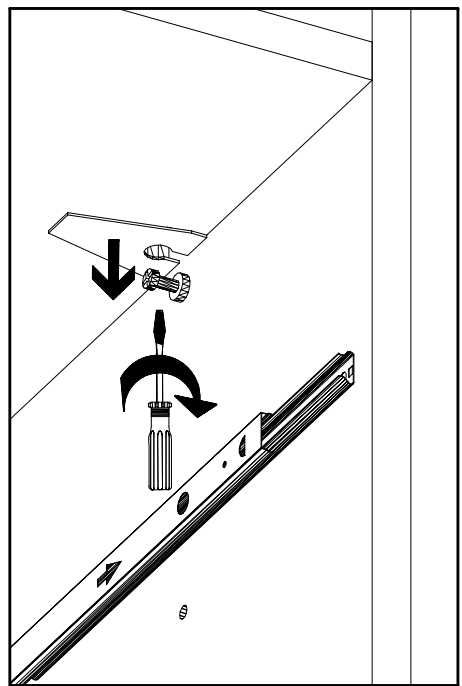
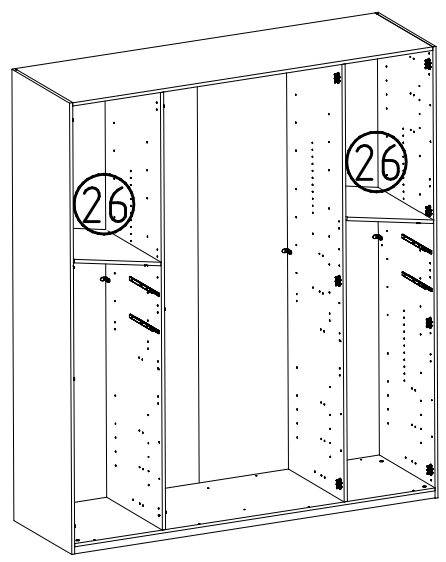
15



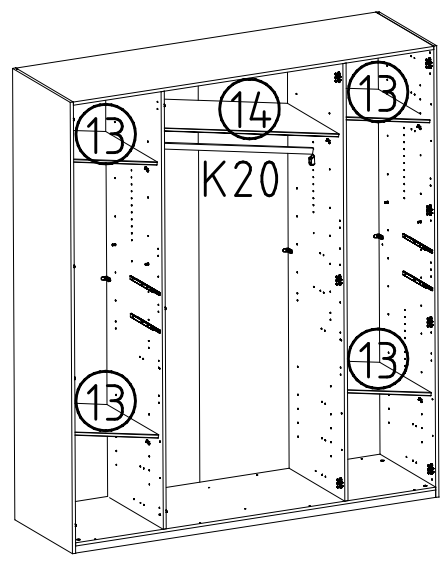
3,5 x 15 mm G1
121 370



16



17

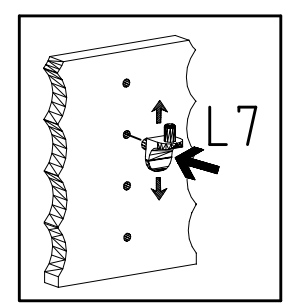
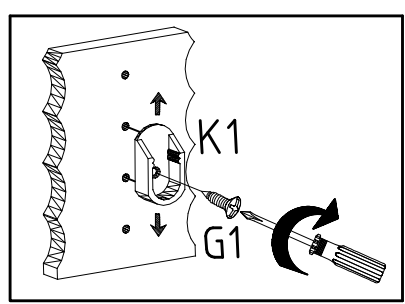


3,5 x 15 mm G1
121 370

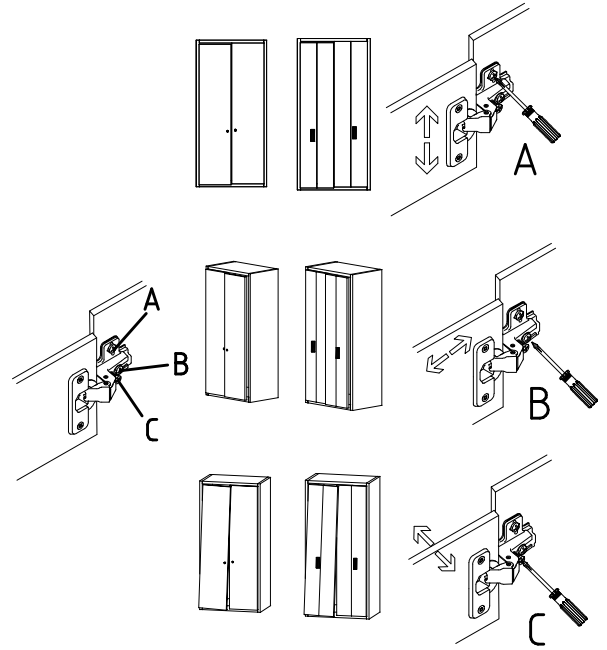
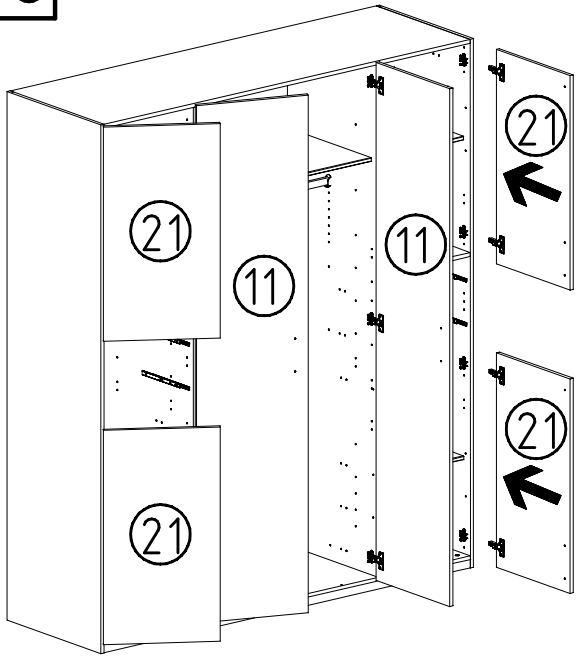
L7
111 610

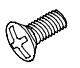
K1
117 001

K20
870mm
112 402

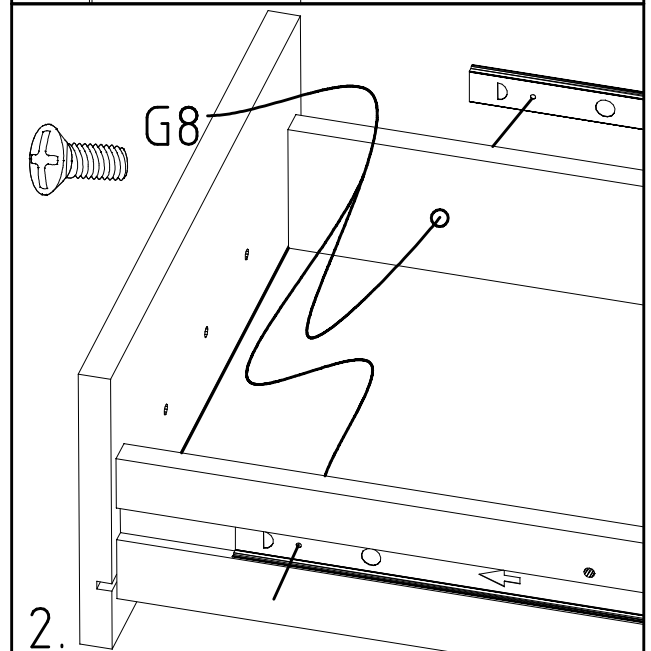
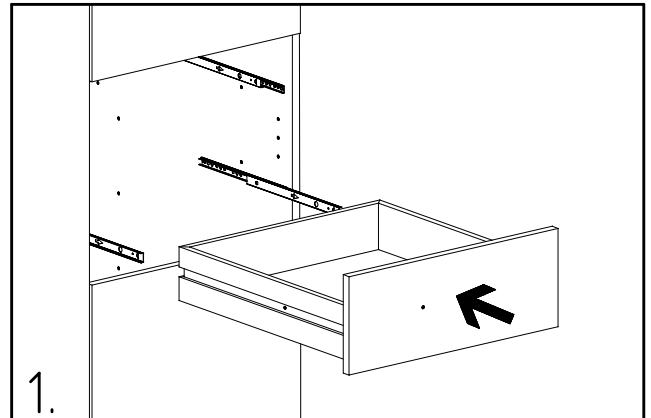
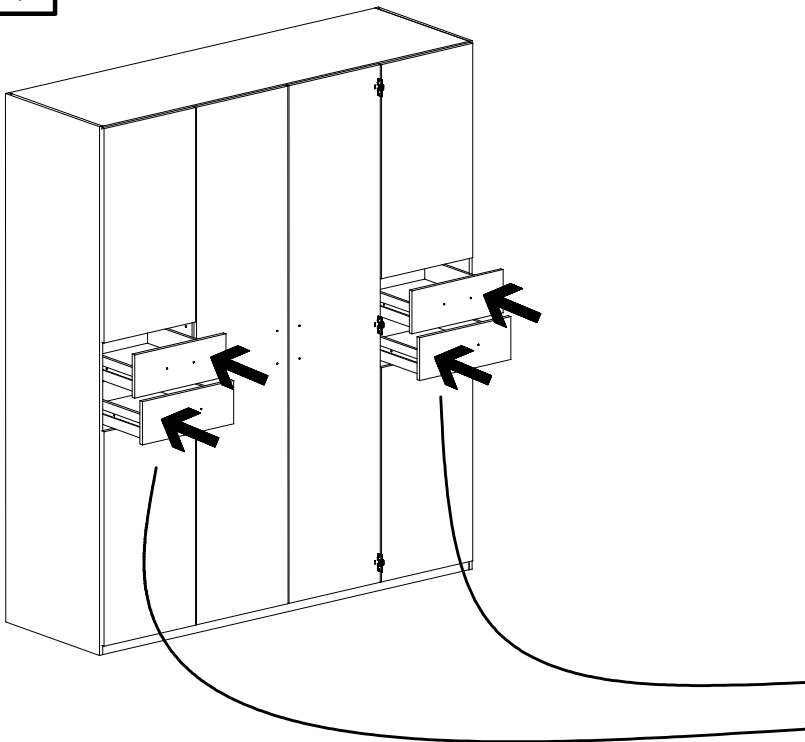


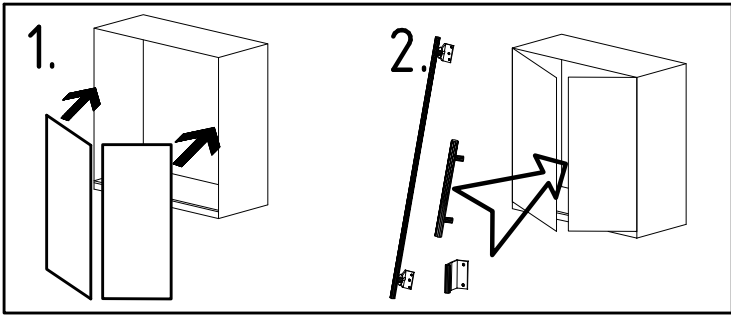
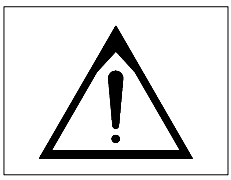
18



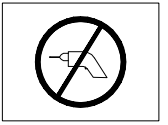
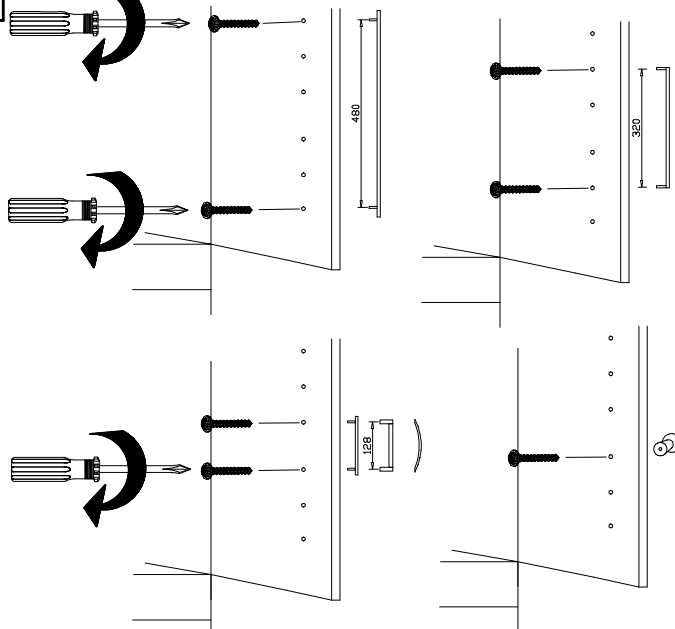
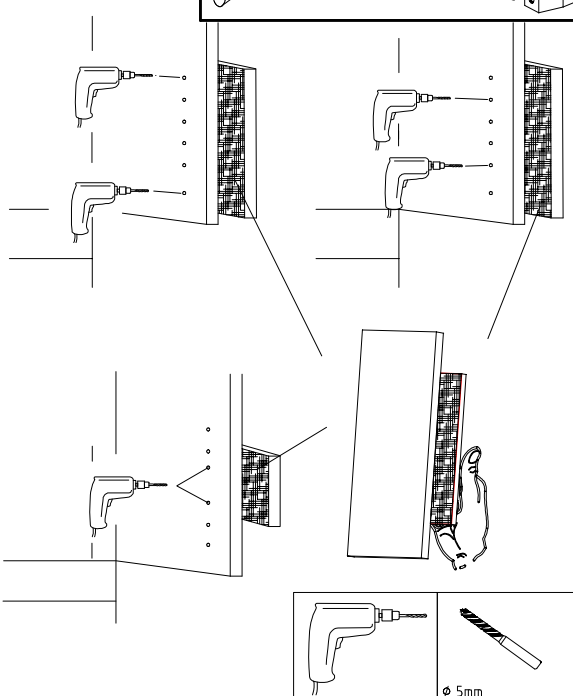
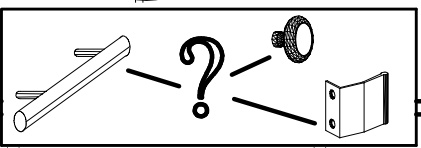
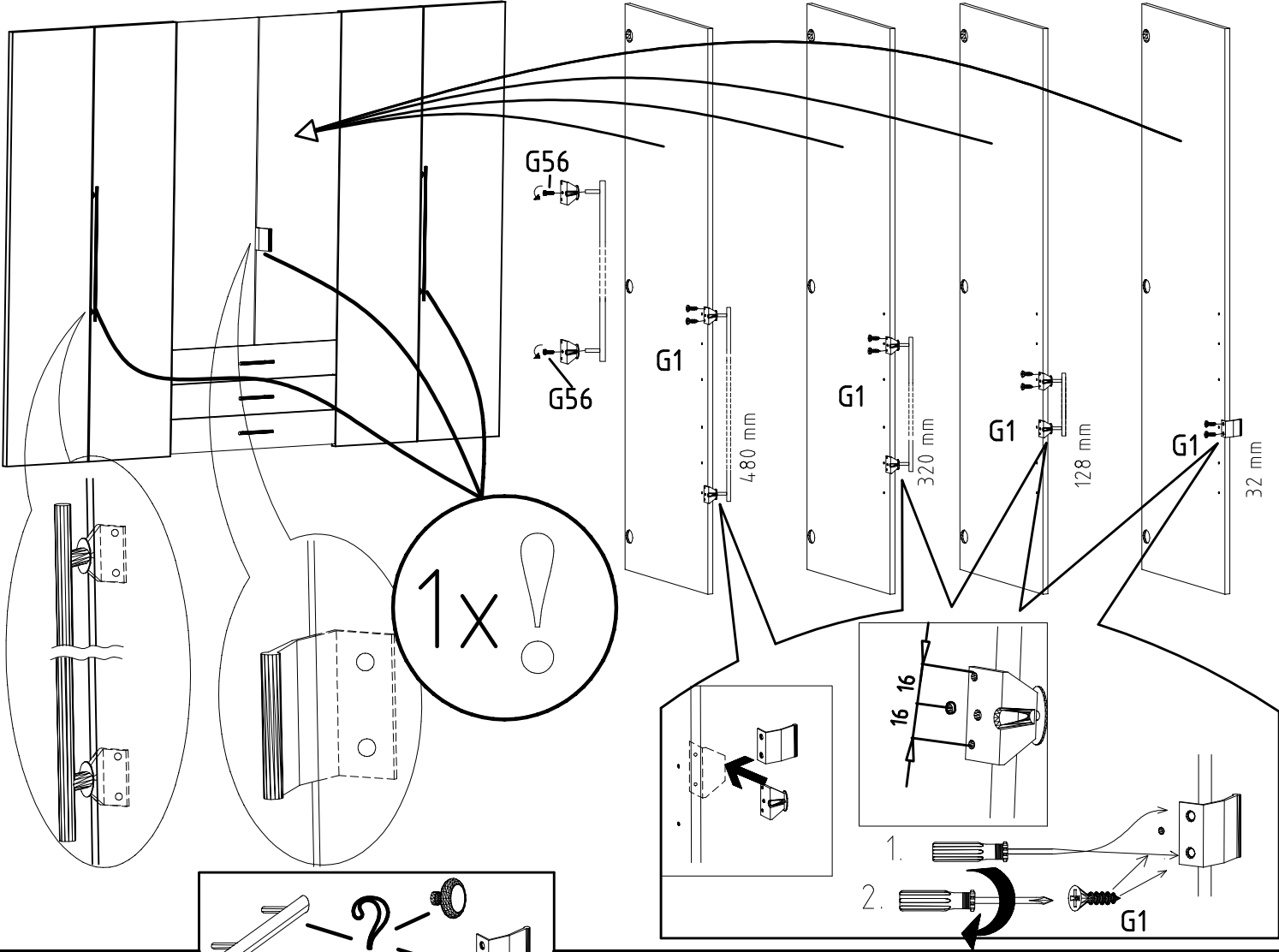
M4 x 9 mm **G8**

 111 015

19





3,5 x 15 mm 121 370 	G1	4,0 x 12 mm 122 625 	G56
----------------------------	----	----------------------------	-----



	SP27
4 X 27mm 122620 4,0x22 122 609 	G49